



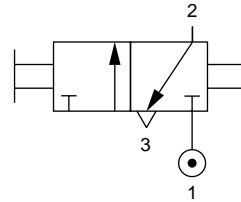
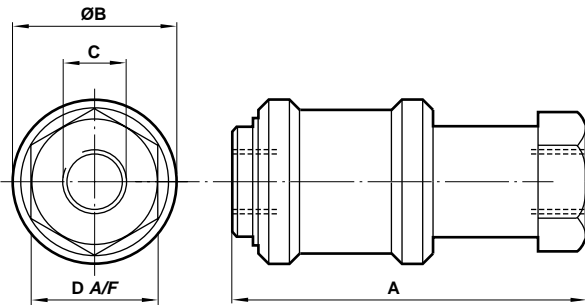
General Information

Model	Size	Flow factor C*	Flow factor Cv**	Weight (kg)	Spares kit
M/7218	G ¹ / ₈	2,4	0,58	0,05	Not available
M/7228	G ¹ / ₄	3,9	0,94	0,09	Not available
M/7238	G ³ / ₈	7,0	1,7	0,16	Not available
M/7248	G ¹ / ₂	10,8	2,6	0,24	Not available

*C measured in dm³/(s.bar)

**Cv measured in US gall/min

Slide Valve



Model	M/7218	M/7228	M/7238	M/7248
A	48	58	70	80
ØB	25	30	35	40
C	G ¹ / ₈	G ¹ / ₄	G ³ / ₈	G ¹ / ₂
D A/F	14	17	22	27

C - According to ISO-228/1

Warning

These products are intended for use in industrial compressed air systems only. Do not use these products where pressures and temperatures can exceed those listed under 'Technical Data'.

Before using these products with fluids other than those specified, for non-industrial applications, life-support systems, or other applications not within published specifications, consult Norgren.

Through misuse, age, or malfunction, components used in fluid power systems can fail in various modes. The system designer is warned to consider the failure modes of all component parts used in fluid power systems and to provide adequate safeguards to prevent personal injury or damage to equipment in the event of such failure.

System designers must provide a warning to end users in the system instructional manual if protection against a failure mode cannot be adequately provided.

System designers and end users are cautioned to review specific warnings found in instruction sheets packed and shipped with these products where applicable.

In-line, manually operated 1/8" - 1/2"

- Sliding sleeve operation
- Compact and lightweight in-line units
- Improved safety
- Easy to install
- Very simple design and reliable operation



Technical Data

Medium:

Compressed air, filtered, lubricated and non-lubricated

Operation:

Sleeve valve, directly actuated, with open exhaust

Mounting:

In-line

Port Sizes:

Female Thread (BSPP)

G¹/₈ M/7218

G¹/₄ M/7228

G³/₈ M/7238

G¹/₂ M/7248

Operating Pressure:

0 - 16 bar

Operating Temperature:

-20°C* to +80°C

*Consult our Technical Service for use below +2°C

Materials

Nickel plated brass body, clear anodised aluminium sleeve, nitrile rubber seals.

Ordering Information

To order, quote model number from table overleaf, e.g. M/7228 for the G¹/₄ unit

Alternative Models

NPT Range, Female/Male Thread

