

Valve slices 2 x 3/2, 5/2 and 5/3
with integral push-in fittings
Ø 3 mm, 4 mm, 6 mm

Multipole or individually wired for installation flexibility

Interchangeable Fieldbus compatible modules

Compact and lightweight

Standard or checked exhaust paths

Quick disconnect base (Pneumapole)

High flow from 10 mm valve width

Technical data

Medium:

Compressed air, filtered, lubricated and non-lubricated

Operation:

Spool valve indirectly actuated

Port sizes:

Ø 3 mm, 4 mm, 6 mm Push-in fittings

Operating pressure:

Maximum 8 bar

Flow:

Function	'C'	b'	'A'	l/min	Cv	Kv
5/2 port 1 to 2 & 4	1,77	0,48	7,10	430	0,44	0,36
5/2 ports 2 to 3 & 4 to 5	1,65	0,45	6,61	400	0,41	0,34
3/2 ports 1 to 2 & 1 to 4	1,44	0,39	5,78	350	0,36	0,29
3/2 ports 2 to 3 & 4 to 5	1,44	0,39	5,78	350	0,36	0,29
5/3 ports 1 to 2 & 4	1,44	0,39	5,78	350	0,36	0,29
5/3 ports 2 to 3 & 4 to 5	1,44	0,39	5,78	350	0,36	0,29

Degree of protection:

IP65

Ambient temperature:

-20°C to +50°C

Consult our Technical Service for use below +2°C.

Materials

Aluminium spool with nitrile rubber seals

Body, end plates: engineered PPA co-polymer



Ordering information

To order please use valve island configurator available at www.norgren.com

Alternatively contact Norgren for a configurator on CD



2 x 3/2 Double solenoid actuated valves

Symbol	Model	Manual override	Function 2 x 3/2	Pilot supply	Actuation	Operating pressure (bar)	Pilot pressure	kg
	VM10*A11*B213B	Turn & lock	NC	Internal	Sol/Spring	3 ... 8	–	0,054
	VM10*A11*B313B	Push only	NC	Internal	Sol/Spring	3 ... 8	–	0,054
	VM10*A22*B213B	Turn & lock	NC	External	Sol/Spring	-0,9 ... 8	3 ... 8	0,054
	VM10*A22*B313B	Push only	NC	External	Sol/Spring	-0,9 ... 8	3 ... 8	0,054
	VM10*B11*B213B	Turn & lock	NO	Internal	Sol/Spring	3 ... 8	–	0,054
	VM10*B11*B313B	Push only	NO	Internal	Sol/Spring	3 ... 8	–	0,054
	VM10*B22*B213B	Turn & lock	NO	External	Sol/Spring	-0,9 ... 8	3 ... 8	0,054
	VM10*B22*B313B	Push only	NO	External	Sol/Spring	-0,9 ... 8	3 ... 8	0,054
	VM10*C11*B213B	Turn & lock	NC/NO	Internal	Sol/Spring	3 ... 8	–	0,054
	VM10*C11*B313B	Push only	NC/NO	Internal	Sol/Spring	3 ... 8	–	0,054
	VM10*C22*B213B	Turn & lock	NC/NO	External	Sol/Spring	-0,9 ... 8	3 ... 8	0,054
	VM10*C22*B313B	Push only	NC/NO	External	Sol/Spring	-0,9 ... 8	3 ... 8	0,054

5/2 Single and double solenoid actuated valves

Symbol	Model	Manual override	Function	Pilot supply	Actuation	Operating pressure (bar)	Pilot pressure	kg
	VM10*517*B213B	Turn & lock	5/2	Internal	Sol/Spring	3 ... 8	–	0,044
	VM10*517*B313B	Push only	5/2	Internal	Sol/Spring	3 ... 8	–	0,044
	VM10*527*B213B	Turn & lock	5/2	External	Sol/Spring	-0,9 ... 8	3 ... 8	0,044
	VM10*527*B313B	Push only	5/2	External	Sol/Spring	-0,9 ... 8	3 ... 8	0,044
	VM10*511*B213B	Turn & lock	5/2	Internal	Sol/Sol	2 ... 8	–	0,054
	VM10*511*B313B	Push only	5/2	Internal	Sol/Sol	2 ... 8	–	0,054
	VM10*522*B213B	Turn & lock	5/2	External	Sol/Sol	-0,9 ... 8	2 ... 8	0,054
	VM10*522*B313B	Push only	5/2	External	Sol/Sol	-0,9 ... 8	2 ... 8	0,054

5/3 Double solenoid actuated valves

Symbol	Model	Manual override	Function	Pilot supply	Actuation	Operating pressure (bar)	Pilot pressure	kg
	VM10*611*B213B	Turn & lock	5/3 APB	Internal	Sol/Sol	3 ... 8	–	0,055
	VM10*611*B313B	Push only	5/3 APB	Internal	Sol/Sol	3 ... 8	–	0,055
	VM10*622*B213B	Turn & lock	5/3 APB	External	Sol/Sol	-0,9 ... 8	3 ... 8	0,055
	VM10*622*B313B	Push only	5/3 APB	External	Sol/Sol	-0,9 ... 8	3 ... 8	0,055

Note: For 5/3 COE please use 2 x 3/2 NC. For 5/3 COP please use 2 x 3/2 NO
 APB = All Ports Blocked COE = Centre Open Exhaust COP = Centre Open Pressure
 Note: * For selecting port sizes, standard or checked exhaust paths please see page 5.4.115.03

Warning

These products are intended for use in industrial compressed air systems only. Do not use these products where pressures and temperatures can exceed those listed under 'Technical Data'.

Before using these products with fluids other than those specified, for non-industrial applications, life-support systems, or other applications not within published specifications, consult NORGREN.

Through misuse, age, or malfunction, components used in fluid power systems can fail in various modes. The system designer is warned to consider the failure modes of all component parts used in fluid power systems and to provide adequate safeguards to prevent personal injury or damage to equipment in the event of such failure.

System designers must provide a warning to end users in the system instructional manual if protection against a failure mode cannot be adequately provided.

System designers and end users are cautioned to review specific warnings found in instruction sheets packed and shipped with these products.



Options selector

VM10*****B*13A

Tube size	Substitute
3 mm PIF	3
4 mm PIF	4
6 mm PIF	6
No PIF (for use with Pneumapole)	7

Valve function	Substitute
5/2	5
5/3 APB	6
2 x 3/2 NC and 5/3 COE	A
2 x 3/2 NO and 5/3 COP	B
2 x 3/2 NC and NO	C

Note: For 5/3 COE and COP use 2 x 3/2

APB = All Ports Blocked COE = Centre Open Exhaust COP = Centre Open Pressure

For valve island specification see page 17

Use our configurator under <http://www.norgren.com> (also available on CD)

* Requires Pneumapole sub-bas

** Can only be used with 5/2 valve

Manual override	Substitute
Turn to lock manual override	2
Push only manual override	3

Exhaust	Substitute
Standard open exhaust	A
Checked exhaust (integral non return valve) *	U

Actuation/pilot supply	Substitute
Solenoid/solenoid internal pilot	11
Solenoid/spring internal pilot **	17
Solenoid/solenoid external pilot	22
Solenoid/spring external pilot **	27

Electrical details

Voltage:	24 V d.c. 0,6 W
Surge suppression:	Flywheel diode
Indication:	Yellow LED

Solenoids

Voltage tolerance:	± 10%
Rating:	100% ED

Accessories

D Sub-connector 25 pin			D Sub-connector 44 pin			2 Pin connector			Valve blanking station			Port blanking station		
V11569-E01	1 m	L1	V11570-E01	1 m	M1	V11556-E10	1 m	K2	VM106517AQ0300	21		VM106517AQ0301	Port 1 blanked	22
V11569-E03	3 m	L2	V11570-E03	3 m	M2	V11556-E03	300 mm	K1				VM106517AQ0302	Ports 3 & 5 blanked	23
V11569-E05	5 m	L3	V11570-E05	5 m	M3							VM106517AQ0303	Ports 1, 3 & 5 blanked	24

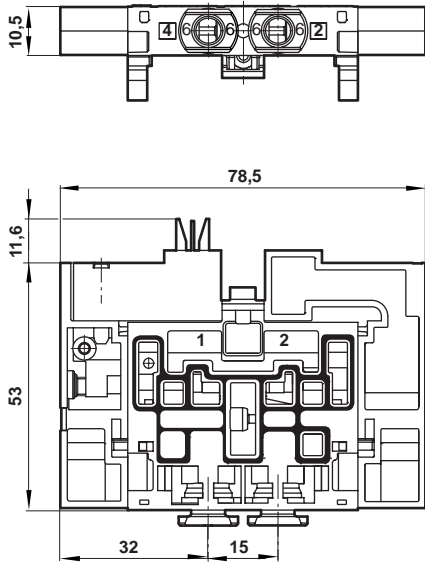
Pressure switch			DIN Rail			DIN Rail fixing kit			Manual override kit			Pneumapole sub-base		
VM106517AQ0804	4 mm	7A	V10009-C00	1 m	A17	V11554-K30	8D		V11574-K30	Push only	N1		For part numbers and dimensional details see page 12*	
VM106517AQ0806	6 mm	7B						V11574-K31	Slide to lock	N2				

* Currently under development, consult our Technical Service

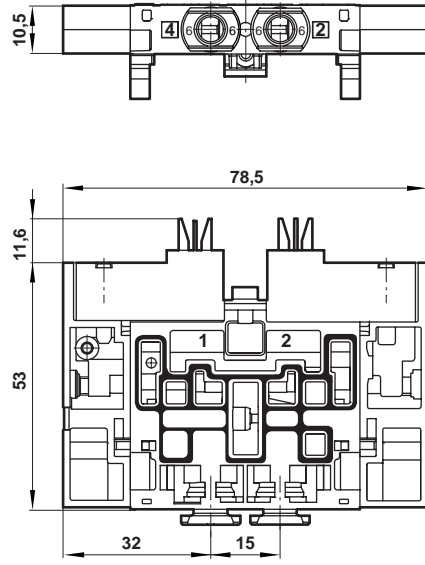


VM10 models

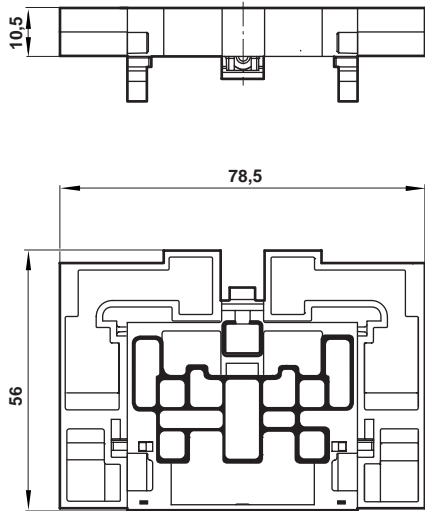
Single solenoid



Double solenoid



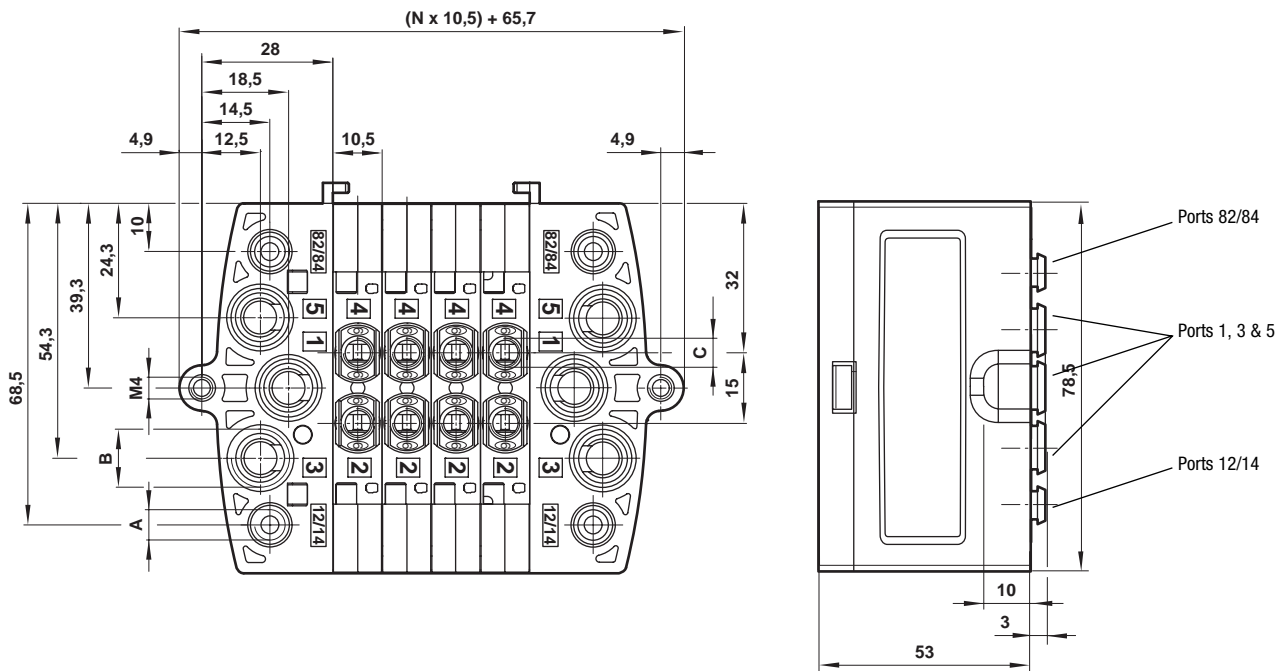
Blanking plates



Valve blanking station	Port blanking station	kg
VM106517AQ0300 21	VM106517AQ0301 Port 1 blanked	22 0,028
	VM106517AQ0302 Ports 3 & 5 blanked	23 0,028
	VM106517AQ0303 Ports 1, 3 & 5 blanked	24 0,028



Port connections



N = number of stations

Detailed CAD drawings available through website valve island configurator

Model	Description	B	A	C	Short code	kg
		Ports 1, 3 & 5	Ports 12/14 & 82/84	Ports 2 & 4		
VM106517AQ010Y	End plate kit - feed both ends	10 mm	6 mm	6 mm	1A	0,170
VM106517AQ0108	End plate kit - feed both ends	8 mm	4 mm	4 mm	1B	0,170
VM106517AQ011Y	End plate kit - feed left, right blocked	10 mm	6 mm	6 mm	1C	0,170
VM106517AQ0118	End plate kit - feed left, right blocked	8 mm	4 mm	4 mm	1D	0,170
VM106517AQ012Y	End plate kit - feed right, left blocked	10 mm	6 mm	6 mm	1E	0,170
VM106517AQ0128	End plate kit - feed right, left blocked	8 mm	4 mm	4 mm	1F	0,170
VM106517AQ0131	End plate kit - feed both ends	no PIF *	no PIF *	no PIF *	1N	0,170
VM106517AQ0132	End plate kit - feed left, right blocked	no PIF *	no PIF *	no PIF *	1P	0,170
VM106517AQ0133	End plate kit - feed right, left blocked	no PIF *	no PIF *	no PIF *	1R	0,170

Available valve port sizes – Ø 3 mm, 4 mm and 6 mm

* No push in fitting for use with pneumapole sub-base

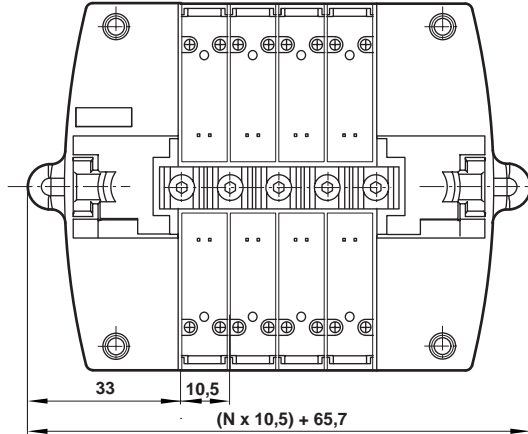
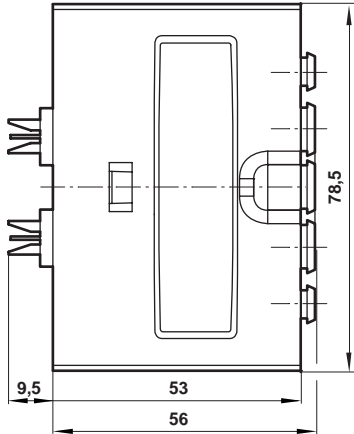


Modular assembly

Individually wired IP40

Individually wired	No. of stations	Max. no. coils	kg*
2 Pin connector	2 to 20	40	0,170

* kg + valves weight

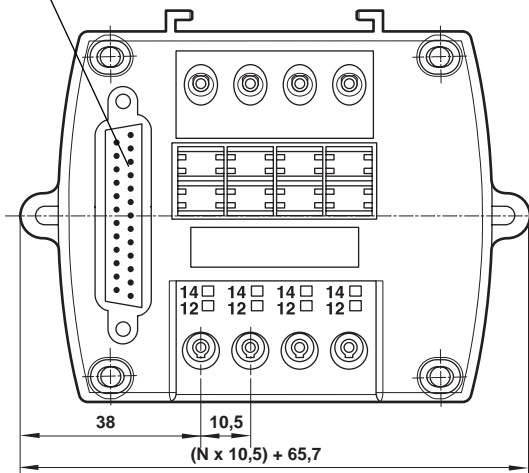
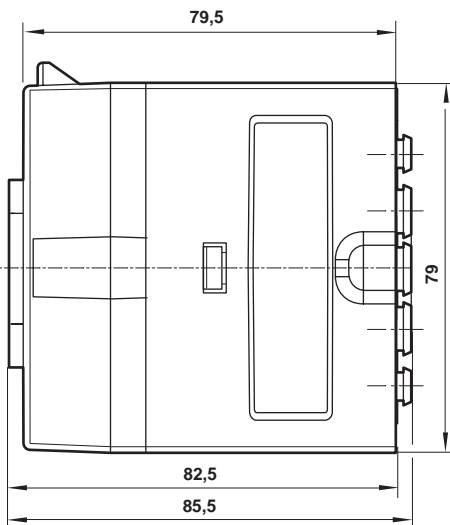


N = number of stations

Multipole IP65

Multipole	No. of stations	Model	Max. no. coils	Short code	kg
25 Pin connector	04	VM106517AQ0404	8	A1	0,116
25 Pin connector	06	VM106517AQ0406	12	A2	0,122
25 Pin connector	08	VM106517AQ0408	16	A3	0,128
25 Pin connector	10	VM106517AQ0410	20	A4	0,134
25 Pin connector	12	VM106517AQ0412	24	A5	0,140
44 Pin connector	10	VM106517AQ0510	20	B1	0,138
44 Pin connector	12	VM106517AQ0512	24	B2	0,144
44 Pin connector	16	VM106517AQ0516	32	B3	0,160

25 Pin connector for 4, 6, 8, 10 & 12 station
44 Pin connector for 10, 12 & 16 station



N = number of stations

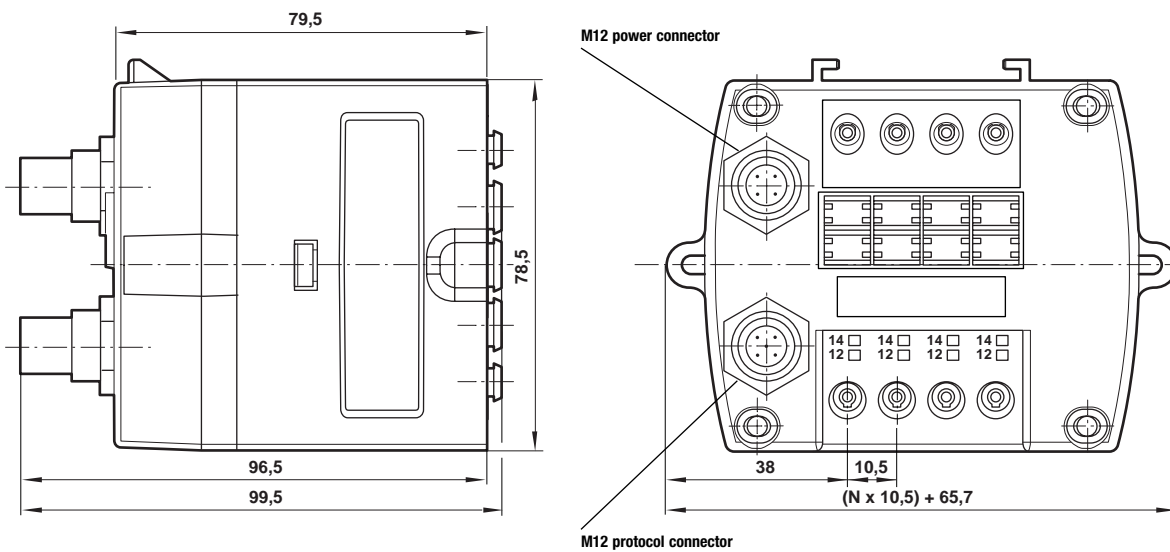


Fieldbus connections (M12 connector types IP65)

Standard fieldbus - available protocols	No. of stations	Model	Max. no. coils	Short code	kg
DeviceNet	08	VM10DNFNB-00080	16	C1	0,138
DeviceNet	10	VM10DNFNB-00100	20	C2	0,144
DeviceNet	12	VM10DNFNB-00120	24	C3	0,150
DeviceNet	16	VM10DNFNB-00160	32	C4	0,170
CANopen	08	VM10CAFNB-00080	16	D1	0,138
CANopen	10	VM10CAFNB-00100	20	D2	0,144
CANopen	12	VM10CAFNB-00120	24	D3	0,150
CANopen	16	VM10CAFNB-00160	32	D4	0,170
AS-interface	04*	VM10AS10A-00410	4	J1	0,138
AS-interface***	08*	VM10AS10A-00810	8	J2	0,144
AS-interface***	04*	VM10AS10A-00820	8	J3	0,150
AS-interface***	06*	VM10AS10A-00830	8	J4	0,170

* Number of stations = 04 (4 x sol/spring), 08 (8 x sol/spring), 04 (4 x sol/sol), 06 (4 x sol/spring, 2 x sol/sol).

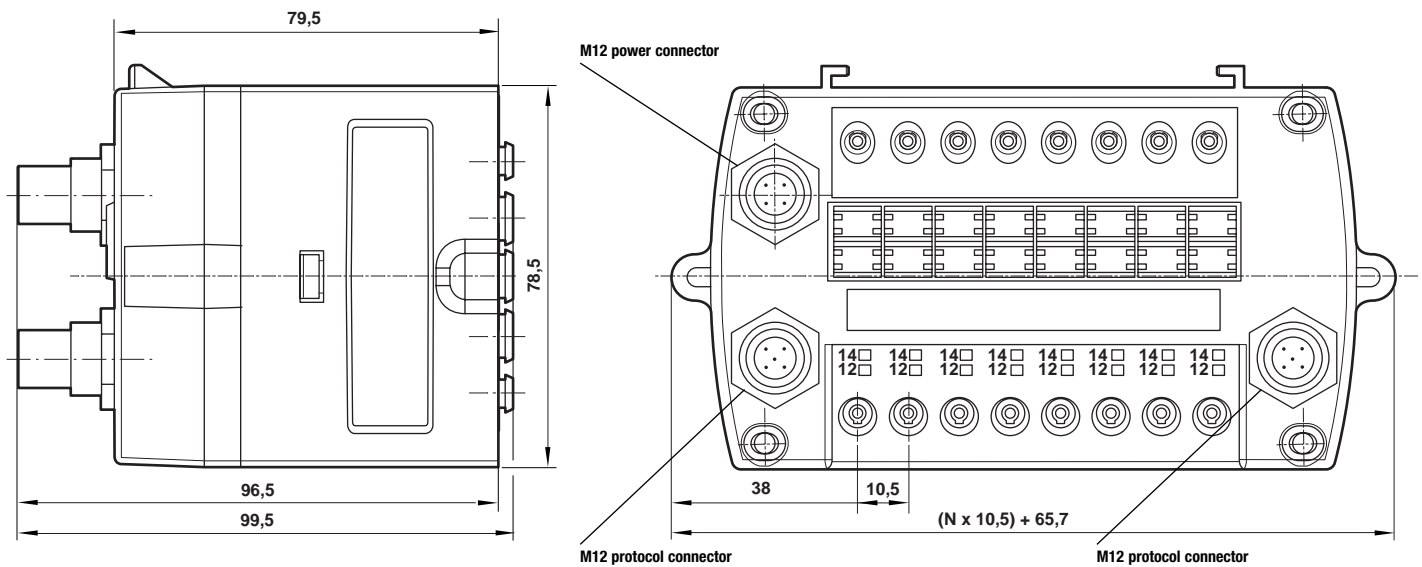
** Use 2 x M12 protocol connectors





Fieldbus connections (M12 connector types IP65)

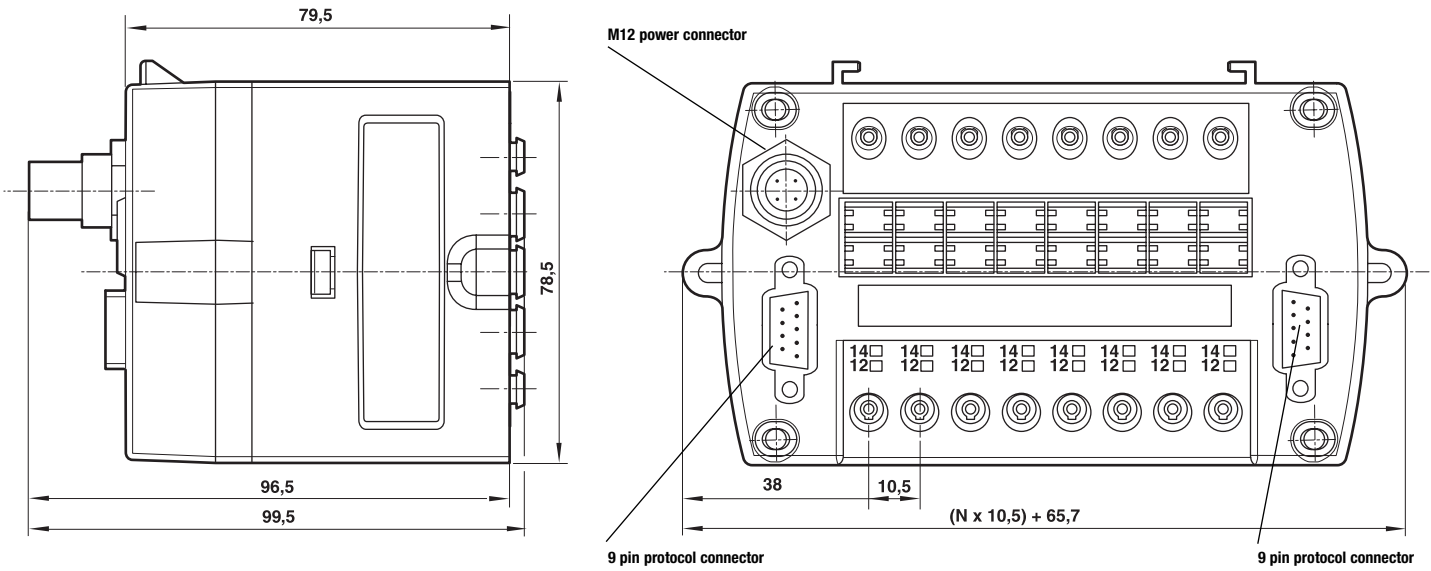
Standard fieldbus - available protocols	No. of stations	Model	Max. no. coils	Short code	kg
Profibus-DP	08	VM10DPFNB-00080	16	E1	0,138
Profibus-DP	10	VM10DPFNB-00100	20	E2	0,144
Profibus-DP	12	VM10DPFNB-00120	24	E3	0,150
Profibus-DP	16	VM10DPFNB-00160	32	E4	0,170
AB RIO	08	VM10RIFNB-00080	16	G1	0,138
AB RIO	10	VM10RIFNB-00100	20	G2	0,144
AB RIO	12	VM10RIFNB-00120	24	G3	0,150
AB RIO	16	VM10RIFNB-00160	32	G4	0,170





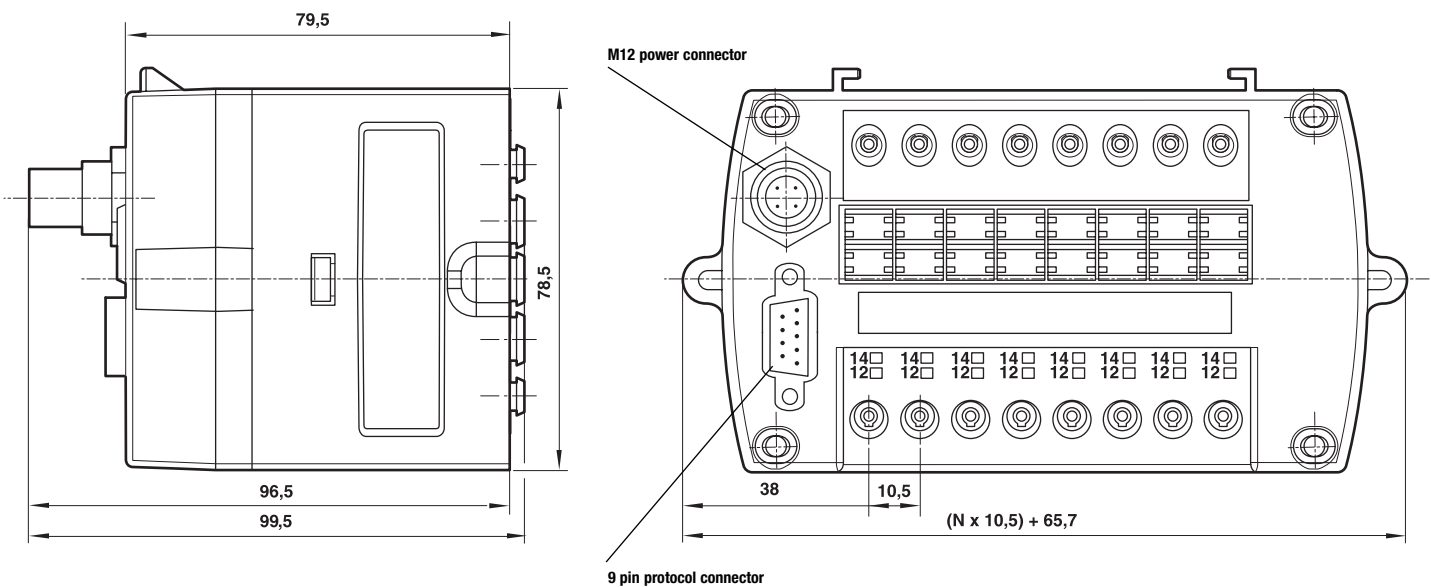
Fieldbus connections - (9 pin D-type connector IP65)

Standard fieldbus - available protocols	No. of stations	Model	Max. no. coils	Short code	kg
Interbus-S	08	VM10IBFNB-00080	16	F1	0,138
Interbus-S	10	VM10IBFNB-00100	20	F2	0,144
Interbus-S	12	VM10IBFNB-00120	24	F3	0,150
Interbus-S	16	VM10IBFNB-00160	32	F4	0,170



Fieldbus connections - (9 pin D-type connector IP40)

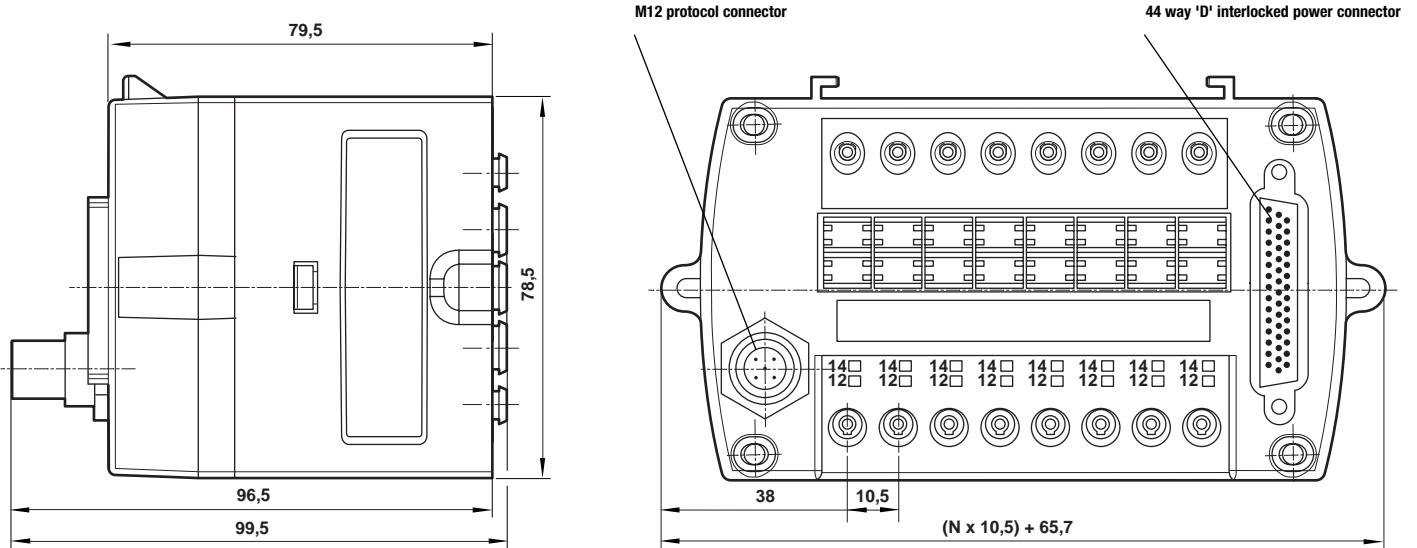
Standard fieldbus - available protocols	No. of stations	Model	Max. no. coils	Short code	kg
Profibus-DP	08	VM10DPFNB-00081	16	E5	0,138
Profibus-DP	10	VM10DPFNB-00101	20	E6	0,144
Profibus-DP	12	VM10DPFNB-00121	24	E7	0,150
Profibus-DP	16	VM10DPFNB-00161	32	E8	0,170





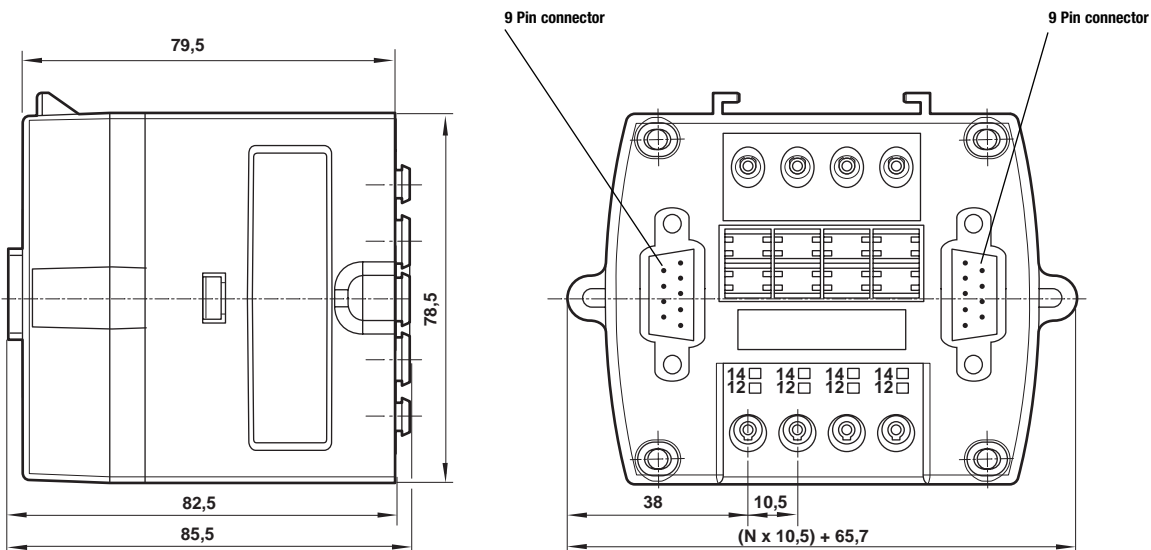
Fieldbus connections with interlocks IP65

Standard fieldbus - available protocols	No. of stations	Model	Max. no. coils	Short code	kg
DeviceNet	08	VM10DNFNB-00081	16	C5	0,138
DeviceNet	10	VM10DNFNB-00101	20	C6	0,144
DeviceNet	12	VM10DNFNB-00121	24	C7	0,150
DeviceNet	16	VM10DNFNB-00161	32	C8	0,170
CANopen	08	VM10CAFNB-00081	16	D5	0,138
CANopen	10	VM10CAFNB-00101	20	D6	0,144
CANopen	12	VM10CAFNB-00121	24	D7	0,150
CANopen	16	VM10CAFNB-00161	32	D8	0,170



Fieldbus connections - Norgren Bus (Fieldbus II) IP65

Standard fieldbus - available protocols	No. of stations	Model	Max. no. coils	Short code	kg
Norgren Fieldbus II	04	VM10LBFNB-00041	08	H1	0,126
Norgren Fieldbus II	06	VM10LBFNB-00061	12	H2	0,132
Norgren Fieldbus II	08	VM10LBFNB-00081	16	H3	0,138
Norgren Fieldbus II	10	VM10LBFNB-00101	20	H4	0,144
Norgren Fieldbus II	12	VM10LBFNB-00121	24	H5	0,150
Norgren Fieldbus II	16	VM10LBFNB-00161	32	H6	0,170

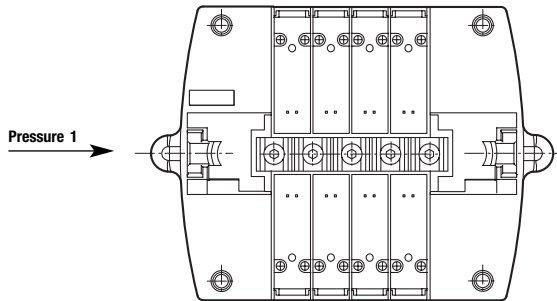


N = number of stations

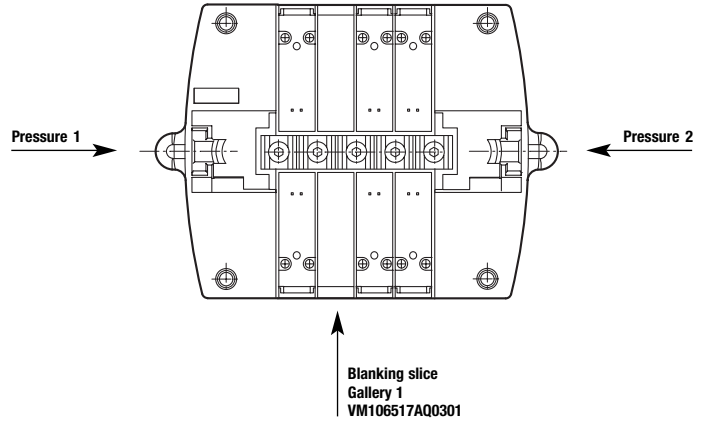


Multi-pressure options

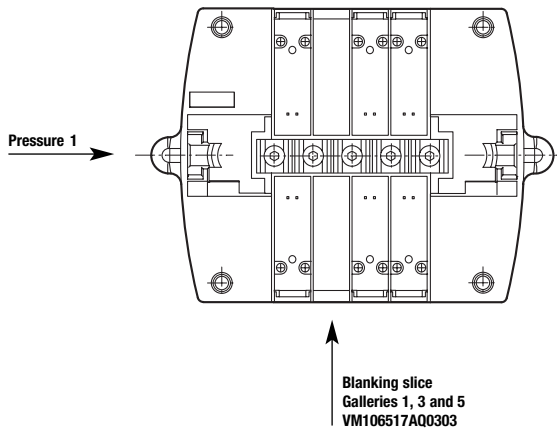
Single pressure



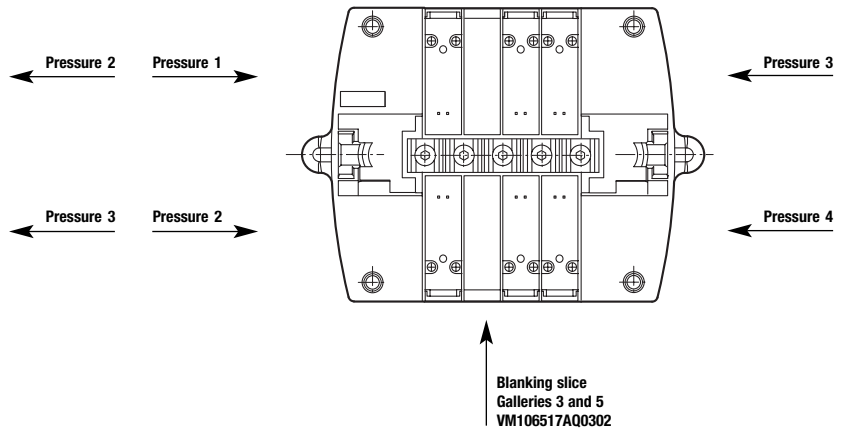
Dual pressure



Three pressure



Four pressure





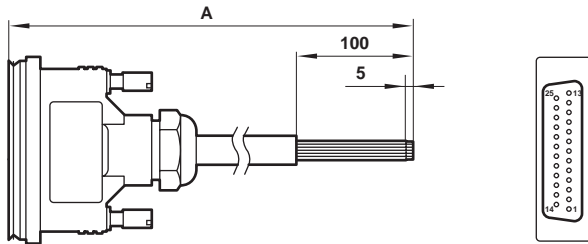
Pneumapole sub-base*

Model	Description	A Ports 1, 3 & 5	B Ports 12/14 & 82/84	C Ports 2 & 4	Exhaust type	Short code
VM106517AQ3604	4 station Pneumapole	8 mm	3 mm	3 mm	Standard	3A
VM106517AQ4604	4 station Pneumapole	10 mm	4 mm	4 mm	Standard	3B
VM106517AQ6604	4 station Pneumapole	10 mm	6 mm	6 mm	Standard	3C
VM106517AQ3606	6 station Pneumapole	8 mm	3 mm	3 mm	Standard	3D
VM106517AQ4606	6 station Pneumapole	10 mm	4 mm	4 mm	Standard	3E
VM106517AQ6606	6 station Pneumapole	10 mm	6 mm	6 mm	Standard	3F
VM106517AQ3608	8 station Pneumapole	8 mm	3 mm	3 mm	Standard	3G
VM106517AQ4608	8 station Pneumapole	10 mm	4 mm	4 mm	Standard	3H
VM106517AQ6608	8 station Pneumapole	10 mm	6 mm	6 mm	Standard	3J
VM106517UQ3804	4 station Pneumapole	8 mm	3 mm	3 mm	Checked exhaust	5A
VM106517UQ4804	4 station Pneumapole	10 mm	4 mm	4 mm	Checked exhaust	5B
VM106517UQ6804	4 station Pneumapole	10 mm	6 mm	6 mm	Checked exhaust	5C
VM106517UQ3806	6 station pneumapole	8 mm	3 mm	3 mm	Checked exhaust	5D
VM106517UQ4806	6 station pneumapole	10 mm	4 mm	4 mm	Checked exhaust	5E
VM106517UQ6806	6 station Pneumapole	10 mm	6 mm	6 mm	Checked exhaust	5F
VM106517UQ3808	8 station Pneumapole	8 mm	3 mm	3 mm	Checked exhaust	5G
VM106517UQ4808	8 station Pneumapole	10 mm	4 mm	4 mm	Checked exhaust	5H
VM106517UQ6808	8 station Pneumapole	10 mm	6 mm	6 mm	Checked exhaust	5J

* Currently under development, consult our Technical Service



25 pin D sub-connector

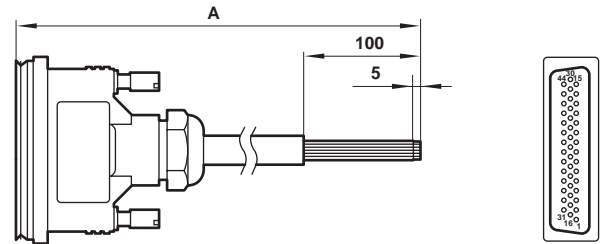


Model	A	Short code	kg
V11569-E01	1 m	L1	0,276
V11569-E03	3 m	L2	0,676
V11569-E05	5 m	L3	1,076

Pin no.	Wire colour	Socket	Pilot	Station
1	White	Solenoid 1-a	14	1
2	Brown	Solenoid 2-a	14	2
3	Green	Solenoid 3-a	14	3
4	Yellow	Solenoid 4-a	14	4
5	Grey	Solenoid 5-a	14	5
6	Pink	Solenoid 6-a	14	6
7	Blue	Solenoid 7-a	14	7
8	Red	Solenoid 8-a	14	8
9	Black	Solenoid 9-a	14	9
10	Violet	Solenoid 10-a	14	10
11	Grey/Pink	Solenoid 11-a	14	11
12	Red/Blue	Solenoid 12-a	14	12
13	White/Green	Common-Ve	-	-
14	Brown/Green	Solenoid 1-b	12	1
15	White/Yellow	Solenoid 2-b	12	2
16	Yellow/Brown	Solenoid 3-b	12	3
17	White/Grey	Solenoid 4-b	12	4
18	Grey/Brown	Solenoid 5-b	12	5
19	White/Pink	Solenoid 6-b	12	6
20	Pink/Brown	Solenoid 7-b	12	7
21	White/Blue	Solenoid 8-b	12	8
22	Brown/Blue	Solenoid 9-b	12	9
23	White/Red	Solenoid 10-b	12	10
24	Brown/Red	Solenoid 11-b	12	11
25	White/Black	Solenoid 12-b	12	12

Note: Conforms to DIN 47100

44 pin D Sub-connector

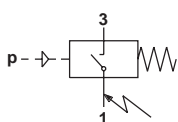


Model	A	Short code	kg
V11570-E01	1 m	M1	0,280
V11570-E03	3 m	M2	0,680
V11570-E05	5 m	M3	1,080

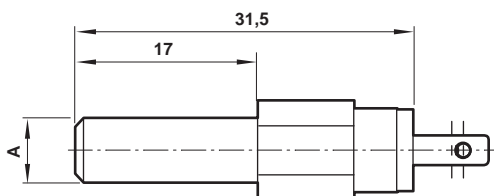
Pin no.	Wire colour	Socket	Pilot	Station
1	White	Solenoid 1-a	14	1
2	Brown	Solenoid 2-a	14	2
3	Green	Solenoid 3-a	14	3
4	Yellow	Solenoid 4-a	14	4
5	Grey	Solenoid 5-a	14	5
6	Pink	Solenoid 6-a	14	6
7	Blue	Solenoid 7-a	14	7
8	Red	Solenoid 8-a	14	8
9	Black	Solenoid 9-a	14	9
10	Violet	Solenoid 10-a	14	10
11	Grey/Pink	Solenoid 11-a	14	11
12	Red/Blue	Solenoid 12-a	14	12
13	White/Green	Solenoid 13-a	14	13
14	Brown/Green	Solenoid 14-a	14	14
15	White/Yellow	Solenoid 15-a	14	15
16	Yellow/Brown	Solenoid 1-b	12	1
17	White/Grey	Solenoid 2-b	12	2
18	Grey/Brown	Solenoid 3-b	12	3
19	White/Pink	Solenoid 4-b	12	4
20	Pink/Brown	Solenoid 5-b	12	5
21	White/Blue	Solenoid 6-b	12	6
22	Brown/Blue	Solenoid 7-b	12	7
23	White/Red	Solenoid 8-b	12	8
24	Brown/Red	Solenoid 9-b	12	9
25	White/Black	Solenoid 10-b	12	10
26	Brown/Black	Solenoid 11-b	12	11
27	Grey/Green	Solenoid 12-b	12	12
28	Yellow/Grey	Solenoid 13-b	12	13
29	Pink/Green	Solenoid 14-b	12	14
30	Yellow/Pink	Solenoid 15-b	12	15
31	Green/Blue	Solenoid 16-a	14	16
32	Yellow/Blue	Solenoid 16-b	12	16
33	-	NOT USED	-	-
34	-	NOT USED	-	-
35	-	NOT USED	-	-
36	-	NOT USED	-	-
37	-	NOT USED	-	-
38	-	NOT USED	-	-
39	-	NOT USED	-	-
40	-	NOT USED	-	-
41	-	NOT USED	-	-
42	-	NOT USED	-	-
43	-	NOT USED	-	-
44	Red/Black Yellow/Black	Common -Ve	-	-

Pressure switch

Model	A	Short code	kg
VM106517AQ0804	4	7A	0,004
VM106517AQ0806	6	7B	0,004

















AMP E-terminals 2,8 x 0,8
 Degree of protection: IP 00
 Non adjustable
 Pressure range: 0 to 10 bar
 Switching point rising pressure: 3,0 to 5,0
 Switch point falling pressure: 2,5 to 3,7 bar





Fieldbus accessories

Symbol	Description	Connection	Cable length	Model	Short code
Fieldbus power connector					
	DeviceNet (4 pin, female) CANopen (4 pin, female) AB RIO (4 pin, female) Profibus-DP (4 pin, female) Interbus-S (4 pin, female)	M12	Wireable	V11588-E01	R1
Interlock power connector					
	DeviceNet or CANopen (44 pin, female)	D-Sub	1 m 3 m 5 m	V11570-E01 V11570-E03 V11570-E05	M1 M2 M3
Communication cable and connector					
	DeviceNet (5 pin, female) CANopen (5 pin, female) AB RIO (5 pin, female)	M12	Wireable	V11589-E01	R2
	Profibus-DP, reverse keyway (5 pin, male)	M12	Wireable	V11590-E01	R3
	Profibus-DP, reverse keyway (5 pin female)	M12	Wireable	V11591-E01	R4
	Profibus-DP connector (9 pin, male with terminating resistor)	D-Sub IP40	Wireable	V11654-E01	R0
	Profibus - DP terminating resistor	M12	–	V11592-E01	R6
	AS-interface power or communications (4 pin)	M12	Wireable	VE1ASCN1-M1200	R5
	Interbus-S (9 pin) Norgren fieldbus II	D-Sub	1 m 3 m 5 m	VE2FBC9P-9S010 VE2FBC9P-9S030 VE2FBC9P-9S050	F21 F22 F23
	Interbus-S (9 pin, male) Norgren fieldbus II	D-Sub	Wireable	VE2FBC9P-00000	F24
	Interbus-S (9 pin, female) Norgren fieldbus II	D-Sub	Wireable	VE2FBC9S-00000	F25
	Interbus-S terminating connector (9 pin male)	D-Sub	–	V11340-E03	R9
	Norgren Fieldbus II (9 pin, male terminating D connector)	D-Sub	–	V11599-E01	R8
	Norgren Fieldbus II (9 pin, female terminating D connector)	D-Sub	–	V11598-E01	R7

For pin information on wiring connections please refer to Fieldbus manual



Short codes for valve island specification

Model	Description	Manual override	Short code
VM103A11AB213B	2 x 3/2 - 2 x NC - Internal feed valve 3 mm PIF	Turn & lock	AA
VM103A11AB313B	2 x 3/2 - 2 x NC - Internal feed valve 3 mm PIF	Push only	AB
VM104A11AB213B	2 x 3/2 - 2 x NC - Internal feed valve 4 mm PIF	Turn & lock	AC
VM104A11AB313B	2 x 3/2 - 2 x NC - Internal feed valve 4 mm PIF	Push only	AD
VM106A11AB213B	2 x 3/2 - 2 x NC - Internal feed valve 6 mm PIF	Turn & lock	AE
VM106A11AB313B	2 x 3/2 - 2 x NC - Internal feed valve 6 mm PIF	Push only	AF
VM107A11AB213B	2 x 3/2 - 2 x NC - Internal feed valve no PIF	Turn & lock	AG
VM107A11AB313B	2 x 3/2 - 2 x NC - Internal feed valve no PIF	Push only	AH
VM103A22AB213B	2 x 3/2 - 2 x NC - External feed valve 3 mm PIF	Turn & lock	DA
VM103A22AB313B	2 x 3/2 - 2 x NC - External feed valve 3 mm PIF	Push only	DB
VM104A22AB213B	2 x 3/2 - 2 x NC - External feed valve 4 mm PIF	Turn & lock	DC
VM104A22AB313B	2 x 3/2 - 2 x NC - External feed valve 4 mm PIF	Push only	DD
VM106A22AB213B	2 x 3/2 - 2 x NC - External feed valve 6 mm PIF	Turn & lock	DE
VM106A22AB313B	2 x 3/2 - 2 x NC - External feed valve 6 mm PIF	Push only	DF
VM107A22AB213B	2 x 3/2 - 2 x NC - External feed valve no PIF	Turn & lock	DG
VM107A22AB313B	2 x 3/2 - 2 x NC - External feed valve no PIF	Push only	DH
VM10AA11AB213B	2 x 3/2 - 2 x NC - Internal feed valve 1/8" PIF	Turn & lock	AJ
VM10AA11AB313B	2 x 3/2 - 2 x NC - Internal feed valve 1/8" PIF	Push only	AK
VM109A11AB213B	2 x 3/2 - 2 x NC - Internal feed valve 5/32" PIF	Turn & lock	AL
VM109A11AB313B	2 x 3/2 - 2 x NC - Internal feed valve 5/32" PIF	Push only	AM
VM101A11AB213B	2 x 3/2 - 2 x NC - Internal feed valve 1/4" PIF	Turn & lock	AN
VM101A11AB313B	2 x 3/2 - 2 x NC - Internal feed valve 1/4" PIF	Push only	AP
VM10AA22AB213B	2 x 3/2 - 2 x NC - External feed valve 1/8" PIF	Turn & lock	DJ
VM10AA22AB313B	2 x 3/2 - 2 x NC - External feed valve 1/8" PIF	Push only	DK
VM109A22AB213B	2 x 3/2 - 2 x NC - External feed valve 5/32" PIF	Turn & lock	DL
VM109A22AB313B	2 x 3/2 - 2 x NC - External feed valve 5/32" PIF	Push only	DM
VM101A22AB213B	2 x 3/2 - 2 x NC - External feed valve 1/4" PIF	Turn & lock	DN
VM101A22AB313B	2 x 3/2 - 2 x NC - External feed valve 1/4" PIF	Push only	DP
VM103B11AB213B	2 x 3/2 - 2 x NO - Internal feed valve 3 mm PIF	Turn & lock	BA
VM103B11AB313B	2 x 3/2 - 2 x NO - Internal feed valve 3 mm PIF	Push only	BB
VM104B11AB213B	2 x 3/2 - 2 x NO - Internal feed valve 4 mm PIF	Turn & lock	BC
VM104B11AB313B	2 x 3/2 - 2 x NO - Internal feed valve 4 mm PIF	Push only	BD
VM106B11AB213B	2 x 3/2 - 2 x NO - Internal feed valve 6 mm PIF	Turn & lock	BE
VM106B11AB313B	2 x 3/2 - 2 x NO - Internal feed valve 6 mm PIF	Push only	BF
VM107B11AB213B	2 x 3/2 - 2 x NO - Internal feed valve no PIF	Turn & lock	BG
VM107B11AB313B	2 x 3/2 - 2 x NO - Internal feed valve no PIF	Push only	BH
VM103B22AB213B	2 x 3/2 - 2 x NO - External feed valve 3 mm PIF	Turn & lock	EA
VM103B22AB313B	2 x 3/2 - 2 x NO - External feed valve 3 mm PIF	Push only	EB
VM104B22AB213B	2 x 3/2 - 2 x NO - External feed valve 4 mm PIF	Turn & lock	EC
VM104B22AB313B	2 x 3/2 - 2 x NO - External feed valve 4 mm PIF	Push only	ED
VM106B22AB213B	2 x 3/2 - 2 x NO - External feed valve 6 mm PIF	Turn & lock	EE
VM106B22AB313B	2 x 3/2 - 2 x NO - External feed valve 6 mm PIF	Push only	EF
VM107B22AB213B	2 x 3/2 - 2 x NO - External feed valve no PIF	Turn & lock	EG
VM107B22AB313B	2 x 3/2 - 2 x NO - External feed valve no PIF	Push only	EH
VM10AB11AB213B	2 x 3/2 - 2 x NO - Internal feed valve 1/8" PIF	Turn & lock	BJ
VM10AB11AB313B	2 x 3/2 - 2 x NO - Internal feed valve 1/8" PIF	Push only	BK
VM109B11AB213B	2 x 3/2 - 2 x NO - Internal feed valve 5/32" PIF	Turn & lock	BL
VM109B11AB313B	2 x 3/2 - 2 x NO - Internal feed valve 5/32" PIF	Push only	BM
VM101B11AB213B	2 x 3/2 - 2 x NO - Internal feed valve 1/4" PIF	Turn & lock	BN
VM101B11AB313B	2 x 3/2 - 2 x NO - Internal feed valve 1/4" PIF	Push only	BP
VM10AB22AB213B	2 x 3/2 - 2 x NO - External feed valve 1/8" PIF	Turn & lock	EJ
VM10AB22AB313B	2 x 3/2 - 2 x NO - External feed valve 1/8" PIF	Push only	EK
VM109B22AB213B	2 x 3/2 - 2 x NO - External feed valve 5/32" PIF	Turn & lock	EL
VM109B22AB313B	2 x 3/2 - 2 x NO - External feed valve 5/32" PIF	Push only	EM
VM101B22AB213B	2 x 3/2 - 2 x NO - External feed valve 1/4" PIF	Turn & lock	EN
VM101B22AB313B	2 x 3/2 - 2 x NO - External feed valve 1/4" PIF	Push only	EP



Short codes for valve island specification

Model	Description	Manual override	Short code
VM103C11AB213B	2 x 3/2 - 1 x NC + 1 x NO - Internal feed valve 3 mm PIF	Turn & lock	CA
VM103C11AB313B	2 x 3/2 - 1 x NC + 1 x NO - Internal feed valve 3 mm PIF	Push only	CB
VM104C11AB213B	2 x 3/2 - 1 x NC + 1 x NO - Internal feed valve 4 mm PIF	Turn & lock	CC
VM104C11AB313B	2 x 3/2 - 1 x NC + 1 x NO - Internal feed valve 4 mm PIF	Push only	CD
VM106C11AB213B	2 x 3/2 - 1 x NC + 1 x NO - Internal feed valve 6 mm PIF	Turn & lock	CE
VM106C11AB313B	2 x 3/2 - 1 x NC + 1 x NO - Internal feed valve 6 mm PIF	Push only	CF
VM107C11AB213B	2 x 3/2 - 1 x NC + 1 x NO - Internal feed valve no PIF	Turn & lock	CG
VM107C11AB313B	2 x 3/2 - 1 x NC + 1 x NO - Internal feed valve no PIF	Push only	CH
VM103C22AB213B	2 x 3/2 - 1 x NC + 1 x NO - External feed valve 3 mm PIF	Turn & lock	FA
VM103C22AB313B	2 x 3/2 - 1 x NC + 1 x NO - External feed valve 3 mm PIF	Push only	FB
VM104C22AB213B	2 x 3/2 - 1 x NC + 1 x NO - External feed valve 4 mm PIF	Turn & lock	FC
VM104C22AB313B	2 x 3/2 - 1 x NC + 1 x NO - External feed valve 4 mm PIF	Push only	FD
VM106C22AB213B	2 x 3/2 - 1 x NC + 1 x NO - External feed valve 6 mm PIF	Turn & lock	FE
VM106C22AB313B	2 x 3/2 - 1 x NC + 1 x NO - External feed valve 6 mm PIF	Push only	FF
VM107C22AB213B	2 x 3/2 - 1 x NC + 1 x NO - External feed valve no PIF	Turn & lock	FG
VM107C22AB313B	2 x 3/2 - 1 x NC + 1 x NO - External feed valve no PIF	Push only	FH
VM10AC11AB213B	2 X 3/2 - 1 X N/C + 1 X N/O - Internal feed valve 1/8" PIF	Turn & lock	CJ
VM10AC11AB313B	2 X 3/2 - 1 X N/C + 1 X N/O - Internal feed valve 1/8" PIF	Push only	CK
VM109C11AB213B	2 X 3/2 - 1 X N/C + 1 X N/O - Internal feed valve 5/32" PIF	Turn & lock	CL
VM109C11AB313B	2 X 3/2 - 1 X N/C + 1 X N/O - Internal feed valve 5/32" PIF	Push only	CM
VM101C11AB213B	2 X 3/2 - 1 X N/C + 1 X N/O - Internal feed valve 1/4" PIF	Turn & lock	CN
VM101C11AB313B	2 X 3/2 - 1 X N/C + 1 X N/O - Internal feed valve 1/4" PIF	Push only	CP
VM10AC22AB213B	2 X 3/2 - 1 X N/C + 1 X N/O - External feed valve 1/8" PIF	Turn & lock	FJ
VM10AC22AB313B	2 X 3/2 - 1 X N/C + 1 X N/O - External feed valve 1/8" PIF	Push only	FK
VM109C22AB213B	2 X 3/2 - 1 X N/C + 1 X N/O - External feed valve 5/32" PIF	Turn & lock	FL
VM109C22AB313B	2 X 3/2 - 1 X N/C + 1 X N/O - External feed valve 5/32" PIF	Push only	FM
VM101C22AB213B	2 X 3/2 - 1 X N/C + 1 X N/O - External feed valve 1/4" PIF	Turn & lock	FN
VM101C22AB313B	2 X 3/2 - 1 X N/C + 1 X N/O - External feed valve 1/4" PIF	Push only	FP
VM103517AB213B	5/2 Solenoid Spring - Internal feed valve 3mm PIF	Turn & lock	GA
VM103517AB313B	5/2 Solenoid Spring - Internal feed valve 3mm PIF	Push only	GB
VM104517AB213B	5/2 Solenoid Spring - Internal feed valve 4mm PIF	Turn & lock	GC
VM104517AB313B	5/2 Solenoid Spring - Internal feed valve 4mm PIF	Push only	GD
VM106517AB213B	5/2 Solenoid Spring - Internal feed valve 6mm PIF	Turn & lock	GE
VM106517AB313B	5/2 Solenoid Spring - Internal feed valve 6mm PIF	Push only	GF
VM107517AB213B	5/2 Solenoid Spring - Internal feed valve No PIF	Turn & lock	GG
VM107517AB313B	5/2 Solenoid Spring - Internal feed valve No PIF	Push only	GH
VM103527AB213B	5/2 Solenoid Spring - External feed valve 3mm PIF	Turn & lock	HA
VM103527AB313B	5/2 Solenoid Spring - External feed valve 3mm PIF	Push only	HB
VM104527AB213B	5/2 Solenoid Spring - External feed valve 4mm PIF	Turn & lock	HC
VM104527AB313B	5/2 Solenoid Spring - External feed valve 4mm PIF	Push only	HD
VM106527AB213B	5/2 Solenoid Spring - External feed valve 6mm PIF	Turn & lock	HE
VM106527AB313B	5/2 Solenoid Spring - External feed valve 6mm PIF	Push only	HF
VM107527AB213B	5/2 Solenoid Spring - External feed valve No PIF	Turn & lock	HG
VM107527AB313B	5/2 Solenoid Spring - External feed valve No PIF	Push only	HH
VM10A517AB213B	5/2 Solenoid Spring - Internal feed valve 1/8" PIF	Turn & lock	GJ
VM10A517AB313B	5/2 Solenoid Spring - Internal feed valve 1/8" PIF	Push only	GK
VM109517AB213B	5/2 Solenoid Spring - Internal feed valve 5/32" PIF	Turn & lock	GL
VM109517AB313B	5/2 Solenoid Spring - Internal feed valve 5/32" PIF	Push only	GM
VM101517AB213B	5/2 Solenoid Spring - Internal feed valve 1/4" PIF	Turn & lock	GN
VM101517AB313B	5/2 Solenoid Spring - Internal feed valve 1/4" PIF	Push only	GP
VM10A527AB213B	5/2 Solenoid Spring - External feed valve 1/8" PIF	Turn & lock	HJ
VM10A527AB313B	5/2 Solenoid Spring - External feed valve 1/8" PIF	Push only	HK
VM109527AB213B	5/2 Solenoid Spring - External feed valve 5/32" PIF	Turn & lock	HL
VM109527AB313B	5/2 Solenoid Spring - External feed valve 5/32" PIF	Push only	HM
VM101527AB213B	5/2 Solenoid Spring - External feed valve 1/4" PIF	Turn & lock	HN
VM101527AB313B	5/2 Solenoid Spring - External feed valve 1/4" PIF	Push only	HP



Short codes for valve island specification

Model	Description	Manual override	Short code
VM103511AB213B	5/2 Solenoid Solenoid - Internal feed valve 3 mm PIF	Turn & lock	JA
VM103511AB313B	5/2 Solenoid Solenoid - Internal feed valve 3 mm PIF	Push only	JB
VM104511AB213B	5/2 Solenoid Solenoid - Internal feed valve 4 mm PIF	Turn & lock	JC
VM104511AB313B	5/2 Solenoid Solenoid - Internal feed valve 4 mm PIF	Push only	JD
VM106511AB213B	5/2 Solenoid Solenoid - Internal feed valve 6 mm PIF	Turn & lock	JE
VM106511AB313B	5/2 Solenoid Solenoid - Internal feed valve 6 mm PIF	Push only	JF
VM107511AB213B	5/2 Solenoid Solenoid - Internal feed valve No PIF	Turn & lock	JG
VM107511AB313B	5/2 Solenoid Solenoid - Internal feed valve No PIF	Push only	JH
VM103522AB213B	5/2 Solenoid Solenoid - External feed valve 3 mm PIF	Turn & lock	KA
VM103522AB313B	5/2 Solenoid Solenoid - External feed valve 3 mm PIF	Push only	KB
VM104522AB213B	5/2 Solenoid Solenoid - External feed valve 4 mm PIF	Turn & lock	KC
VM104522AB313B	5/2 Solenoid Solenoid - External feed valve 4 mm PIF	Push only	KD
VM106522AB213B	5/2 Solenoid Solenoid - External feed valve 6 mm PIF	Turn & lock	KE
VM106522AB313B	5/2 Solenoid Solenoid - External feed valve 6 mm PIF	Push only	KF
VM107522AB213B	5/2 Solenoid Solenoid - External feed valve No PIF	Turn & lock	KG
VM107522AB313B	5/2 Solenoid Solenoid - External feed valve No PIF	Push only	KH
VM10A511AB213B	5/2 Solenoid Solenoid - Internal feed valve 1/8" PIF	Turn & lock	JJ
VM10A511AB313B	5/2 Solenoid Solenoid - Internal feed valve 1/8" PIF	Push only	JK
VM109511AB213B	5/2 Solenoid Solenoid - Internal feed valve 5/32" PIF	Turn & lock	JL
VM109511AB313B	5/2 Solenoid Solenoid - Internal feed valve 5/32" PIF	Push only	JM
VM101511AB213B	5/2 Solenoid Solenoid - Internal feed valve 1/4" PIF	Turn & lock	JN
VM101511AB313B	5/2 Solenoid Solenoid - Internal feed valve 1/4" PIF	Push only	JP
VM10A522AB213B	5/2 Solenoid Solenoid - External feed valve 1/8" PIF	Turn & lock	KJ
VM10A522AB313B	5/2 Solenoid Solenoid - External feed valve 1/8" PIF	Push only	KK
VM109522AB213B	5/2 Solenoid Solenoid - External feed valve 5/32" PIF	Turn & lock	KL
VM109522AB313B	5/2 Solenoid Solenoid - External feed valve 5/32" PIF	Push only	KM
VM101522AB213B	5/2 Solenoid Solenoid - External feed valve 1/4" PIF	Turn & lock	KN
VM101522AB313B	5/2 Solenoid Solenoid - External feed valve 1/4" PIF	Push only	KP
VM103611AB213B	5/3 APB Solenoid Solenoid - Internal feed valve 3 mm PIF	Turn & lock	LA
VM103611AB313B	5/3 APB Solenoid Solenoid - Internal feed valve 3 mm PIF	Push only	LB
VM104611AB213B	5/3 APB Solenoid Solenoid - Internal feed valve 4 mm PIF	Turn & lock	LC
VM104611AB313B	5/3 APB Solenoid Solenoid - Internal feed valve 4 mm PIF	Push only	LD
VM106611AB213B	5/3 APB Solenoid Solenoid - Internal feed valve 6 mm PIF	Turn & lock	LE
VM106611AB313B	5/3 APB Solenoid Solenoid - Internal feed valve 6 mm PIF	Push only	LF
VM107611AB213B	5/3 APB Solenoid Solenoid - Internal feed valve No PIF	Turn & lock	LG
VM107611AB313B	5/3 APB Solenoid Solenoid - Internal feed valve No PIF	Push only	LH
VM103622AB213B	5/3 APB Solenoid Solenoid - External feed valve 3 mm PIF	Turn & lock	MA
VM103622AB313B	5/3 APB Solenoid Solenoid - External feed valve 3 mm PIF	Push only	MB
VM104622AB213B	5/3 APB Solenoid Solenoid - External feed valve 4 mm PIF	Turn & lock	MC
VM104622AB313B	5/3 APB Solenoid Solenoid - External feed valve 4 mm PIF	Push only	MD
VM106622AB213B	5/3 APB Solenoid Solenoid - External feed valve 6 mm PIF	Turn & lock	ME
VM106622AB313B	5/3 APB Solenoid Solenoid - External feed valve 6 mm PIF	Push only	MF
VM107622AB213B	5/3 APB Solenoid Solenoid - External feed valve No PIF	Turn & lock	MG
VM107622AB313B	5/3 APB Solenoid Solenoid - External feed valve No PIF	Push only	MH
VM10A611AB213B	5/3 APB Solenoid Solenoid - Internal feed valve 1/8" PIF	Turn & lock	LJ
VM10A611AB313B	5/3 APB Solenoid Solenoid - Internal feed valve 1/8" PIF	Push only	LK
VM109611AB213B	5/3 APB Solenoid Solenoid - Internal feed valve 5/32" PIF	Turn & lock	LL
VM109611AB313B	5/3 APB Solenoid Solenoid - Internal feed valve 5/32" PIF	Push only	LM
VM101611AB213B	5/3 APB Solenoid Solenoid - Internal feed valve 1/4" PIF	Turn & lock	LN
VM101611AB313B	5/3 APB Solenoid Solenoid - Internal feed valve 1/4" PIF	Push only	LP
VM10A622AB213B	5/3 APB Solenoid Solenoid - External feed valve 1/8" PIF	Turn & lock	MJ
VM10A622AB313B	5/3 APB Solenoid Solenoid - External feed valve 1/8" PIF	Push only	MK
VM109622AB213B	5/3 APB Solenoid Solenoid - External feed valve 5/32" PIF	Turn & lock	ML
VM109622AB313B	5/3 APB Solenoid Solenoid - External feed valve 5/32" PIF	Push only	MM
VM101622AB213B	5/3 APB Solenoid Solenoid - External feed valve 1/4" PIF	Turn & lock	MN
VM101622AB313B	5/3 APB Solenoid Solenoid - External feed valve 1/4" PIF	Push only	MP



VM10 checked exhaust valve codes

Model	Description	Manual override	Short code
VM107A11UB213B	2 x 3/2 - 2 x NC - Internal feed valve No PIF	Turn & lock	NA
VM107A11UB313B	2 x 3/2 - 2 x NC - Internal feed valve No PIF	Push only	NB
VM107A22UB213B	2 x 3/2 - 2 x NC - External feed valve No PIF	Turn & lock	RA
VM107A22UB313B	2 x 3/2 - 2 x NC - External feed valve No PIF	Push only	RB
VM107B11UB213B	2 x 3/2 - 2 x NO - Internal feed valve No PIF	Turn & lock	PA
VM107B11UB313B	2 x 3/2 - 2 x NO - Internal feed valve No PIF	Push only	PB
VM107B22UB213B	2 x 3/2 - 2 x NO - External feed valve No PIF	Turn & lock	SA
VM107B22UB313B	2 x 3/2 - 2 x NO - External feed valve No PIF	Push only	SB
VM107C11UB213B	2 x 3/2 - 1 x NC + 1 x NO - Internal feed valve No PIF	Turn & lock	QA
VM107C11UB313B	2 x 3/2 - 1 x NC + 1 x NO - Internal feed valve No PIF	Push only	QB
VM107C22UB213B	2 x 3/2 - 1 x NC + 1 x NO - External feed valve No PIF	Turn & lock	TA
VM107C22UB313B	2 x 3/2 - 1 x NC + 1 x NO - External feed valve No PIF	Push only	TB
VM107517UB213B	5/2 Solenoid Spring - Internal feed valve No PIF	Turn & lock	UA
VM107517UB313B	5/2 Solenoid Spring - Internal feed valve No PIF	Push only	UB
VM107527UB213B	5/2 Solenoid Spring - External feed valve No PIF	Turn & lock	VA
VM107527UB313B	5/2 Solenoid Spring - External feed valve No PIF	Push only	VB
VM107511UB213B	5/2 Solenoid Solenoid - Internal feed valve No PIF	Turn & lock	WA
VM107511UB313B	5/2 Solenoid Solenoid - Internal feed valve No PIF	Push only	WB
VM107522UB213B	5/2 Solenoid Solenoid - External feed valve No PIF	Turn & lock	XA
VM107522UB313B	5/2 Solenoid Solenoid - External feed valve No PIF	Push only	XB
VM107611UB213B	5/3 APB Solenoid Solenoid - Internal feed valve No PIF	Turn & lock	YA
VM107611UB313B	5/3 APB Solenoid Solenoid - Internal feed valve No PIF	Push only	YB
VM107622UB213B	5/3 APB Solenoid Solenoid - External feed valve No PIF	Turn & lock	ZA
VM107622UB313B	5/3 APB Solenoid Solenoid - External feed valve No PIF	Push only	ZB

End plates

Model	Description	Short code
VM106517AQ010Y	End plate kit - feed both ends 10 mm	1A
VM106517AQ0108	End plate kit - feed both ends 8 mm	1B
VM106517AQ011Y	End plate kit - feed left, right blocked 10 mm	1C
VM106517AQ0118	End plate kit - feed left, right blocked 8 mm	1D
VM106517AQ012Y	End plate kit - feed right, left blocked 10 mm	1E
VM106517AQ0128	End plate kit - feed right, left blocked 8 mm	1F
VM106517AQ0131	End plate kit - feed both ends no PIF	1N
VM106517AQ0132	End plate kit - feed left, right blocked no PIF	1P
VM106517AQ0133	End plate kit - feed right, left blocked no PIF	1R

Model	Description	Short code
VM106517AQ0202	End plate kit - feed both ends 3/8"	1G
VM106517AQ020X	End plate kit - feed both ends 5/16"	1H
VM106517AQ0212	End plate kit - feed left, right blocked 3/8"	1J
VM106517AQ021X	End plate kit - feed left, right blocked 5/16"	1K
VM106517AQ0222	End plate kit - feed right, left blocked 3/8"	1L
VM106517AQ022X	End plate kit - feed right, left blocked 5/16"	1M
VM106517AQ0231	End plate kit - feed both ends no PIF	1S
VM106517AQ0232	End plate kit - feed left, right blocked no PIF	1T
VM106517AQ0233	End plate kit - feed right, left blocked no PIF	1V



Valve island specification

Valve island specification form VIP/

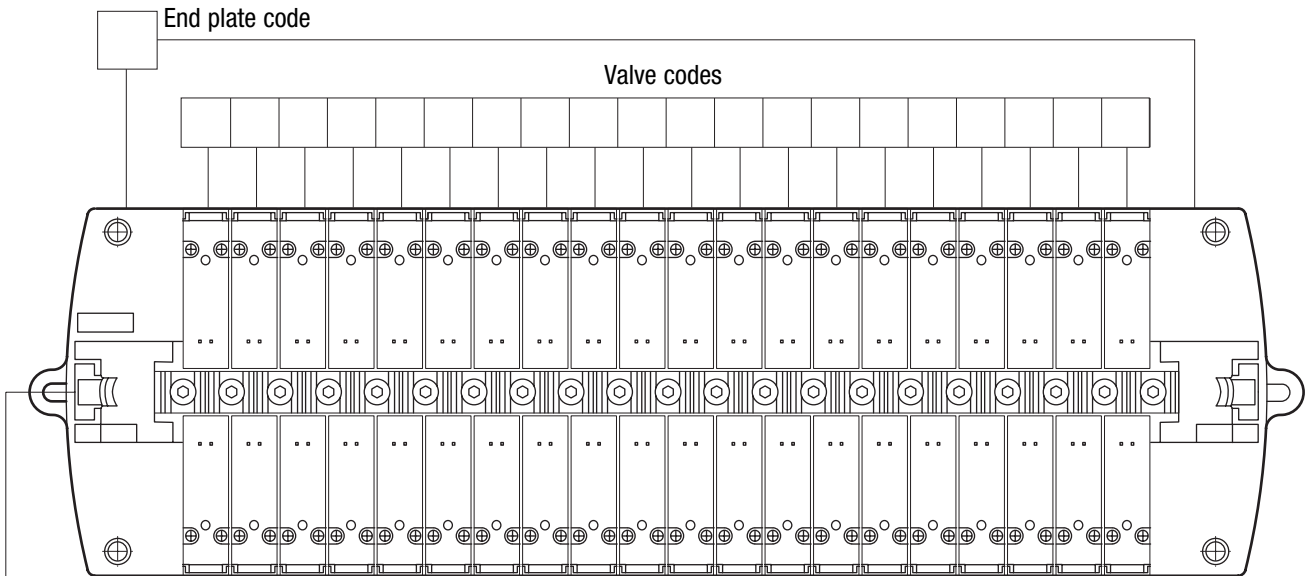
Company name Contact name
 Address Tel no
 Fax no
 E-mail

Using the short order codes provided complete the build model below.


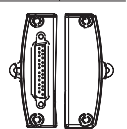
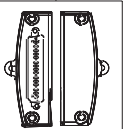
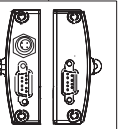
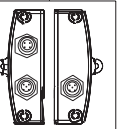
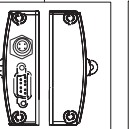
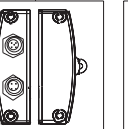
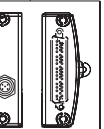
One valve island per sheet only


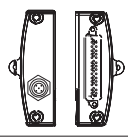
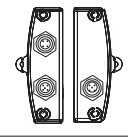

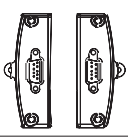
Unit ID No.
 Norgren to specify
No. of units required

Valve range: VM10



Options - select one only

							
Individually wired 2 to 20 stations	25 pin IP65 D-sub connector 4, 6, 8, 10 & 12 stations	44 pin IP65 D-sub connector 10, 12 & 16 stations	Interbus-S 8, 10, 12 & 16 stations	Profibus – DP 8, 10, 12 & 16 stations M12 (IP65)	Profibus – DP 9 pin (IP40)	DeviceNet 8, 10, 12 & 16 stations	DeviceNet with interlocks 8, 10, 12 & 16 stations
<input type="checkbox"/>	<input type="checkbox"/>	<input type="checkbox"/>	<input type="checkbox"/>	<input type="checkbox"/>	<input type="checkbox"/>	<input type="checkbox"/>	<input type="checkbox"/>

				
CANopen 8, 10, 12 & 16 stations	CANopen with interlocks 8, 10, 12 & 16 stations	AB RIO 8, 10, 12 & 16 stations	AS interface 4, 6 & 8 stations	Norgren Fieldbus II 4, 6, 8, 10, 12 & 16 stations
<input type="checkbox"/>	<input type="checkbox"/>	<input type="checkbox"/>	<input type="checkbox"/>	<input type="checkbox"/>

Accessories
 Short code Qty per island

Short code	Qty per island

Connection options
 Select one only

Standard: 24 V d.c. negative common (Multipole & Fieldbus)
 Multipole 24 V d.c. positive common



Fieldbus specification

Fieldbus system specification form VIE/

Company name Contact name

Address Tel no

..... Fax no.

..... E-mail

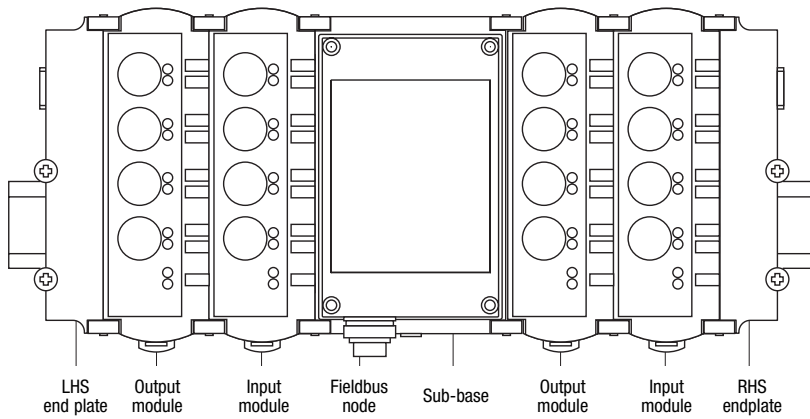
Using the short order codes provided complete the build model below.

One valve island per sheet only

Unit ID No.
Norgren to specify

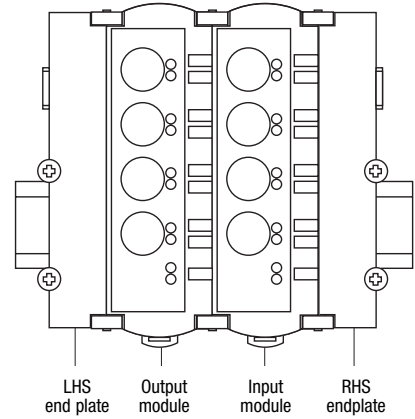
Distributed configuration, No. of units required

Remote inputs and outputs, No. of units required



Code				F5			
------	--	--	--	-----------	--	--	--

No. of units							
--------------	--	--	--	--	--	--	--



Code			
------	--	--	--

No. of units		
--------------	--	--

Accessories

Code Quantity

Distributed cables

Power cables (1 per node)

Sensor cables

Solenoid cable

Communication connectors
