

- **Multipole for easy installation**
- **Conforms to international standards**
- **Power saving and diagnostic features**
- **From 12V up to 240V supply**
- **Fieldbus compatible**
- **Dedicated AS-Interface models**



Technical Data Wireway

Indication by red LED (d.c.) or neon (a.c.)

Suppression by flywheel diode (d.c.) or VDR (a.c.)

Diagnostic:

Red LED = correct movement of armature

Orange LED = failed operation

50% power saving following correct armature movement

Multipole:

D-sub connector, IP40

Round type plug, IP65

Conduit entry type, IP65/NEMA 4

Temperature Range:

-20°C to +50°C

*Consult our Technical Service for use below +2°C

Materials

Glass fibre reinforced co-polymer moulding for wireway housings and modules. Conduit end caps – zinc pressure die-cast. Glass fibre reinforced co-polymer manifolds.

Aluminium alloy end plates and aluminium alloy pressure die-cast sub base modules.

Ordering Information

To order, quote model number and voltage code of Sub-base and Wireway, e.g.

V14BBC12-XXXB3 is a 12 station single pressure, side ported Sub-base with conduit Wireway connector to IP65/NEMA 4 for use at 24 V d.c. with diagnostic Multipole.

Valves and accessories can be ordered separately or consult our Technical Service for a ready built system.

**For further technical data on valves, bases and accessories
refer to Section 5.4.155**



General Information

5/2 and 5/3 Solenoid Actuated Valves

| Symbol | Model | Manual Override | Pilot Supply (Gasket Type)† | Operator | Mid-Position | Return | Operating Pressure (bar) | Pilot Pressure (bar) | Weight (kg) | Spares kit |
|--------|----------------|-----------------------|-----------------------------|----------|--------------|----------|--------------------------|----------------------|-------------|------------|
| | V14B517A-B21*A | Screwdriver Bi-stable | Internal (W) | Solenoid | - | Spring | 1,8 - 10 | - | 0,155 | V10316-K30 |
| | V14B517A-B31*A | Push Button | | | | | | | | |
| | V14B527A-B21*A | Screwdriver Bi-stable | External (X) | Solenoid | - | Spring | -0,9 - 10 | 1,8 - 10 | 0,155 | V10316-K30 |
| | V14B527A-B31*A | Push Button | | | | | | | | |
| | V14B511P-B21*A | Screwdriver Bi-stable | Internal (W) | Solenoid | - | Solenoid | 1,2 - 10 | - | 0,325 | V10316-K30 |
| | V14B511P-B31*A | Push Button | | | | | | | | |
| | V14B522P-B21*A | Screwdriver Bi-stable | External (X) | Solenoid | - | Solenoid | -0,9 - 10 | 1,2 - 10 | 0,325 | V10316-K30 |
| | V14B522P-B31*A | Push Button | | | | | | | | |
| | V14B611P-B21*A | Screwdriver Bi-stable | Internal (W) | Solenoid | APB | Solenoid | 2,2 - 10 | - | 0,345 | V10317-K30 |
| | V14B611P-B31*A | Push Button | | | | | | | | |
| | V14B622P-B21*A | Screwdriver Bi-stable | External (X) | Solenoid | APB | Solenoid | -0,9 - 10 | 2,2 - 10 | 0,345 | V10317-K30 |
| | V14B622P-B31*A | Push Button | | | | | | | | |
| | V14B711P-B21*A | Screwdriver Bi-stable | Internal (W) | Solenoid | COE | Solenoid | 2,2 - 10 | - | 0,345 | V10318-K30 |
| | V14B711P-B31*A | Push Button | | | | | | | | |
| | V14B722P-B21*A | Screwdriver Bi-stable | External (X) | Solenoid | COE | Solenoid | -0,9 - 10 | 2,2 - 10 | 0,345 | V10318-K30 |
| | V14B722P-B31*A | Push Button | | | | | | | | |
| | V14B811P-B21*A | Screwdriver Bi-stable | Internal (W) | Solenoid | COP | Solenoid | 2,2 - 10 | - | 0,345 | V10347-K30 |
| | V14B811P-B31*A | Push Button | | | | | | | | |
| | V14B822P-B21*A | Screwdriver Bi-stable | External (X) | Solenoid | COP | Solenoid | -0,9 - 10 | 2,2 - 10 | 0,345 | V10347-K30 |
| | V14B822P-B31*A | Push Button | | | | | | | | |

*Insert voltage code from table below.

† Gasket Type supplied with the valve, for details see section N/** 5.4.155.05

APB = All Ports Blocked, COE = Centre Open Exhaust, COP = Centre Open Pressure

*Voltage Codes and Spare Coils

| Voltage | Codes | Power Inrush/Hold | Coil Part Number |
|-----------------------|-------|-------------------|------------------|
| 6V d.c. & 12V 50/60Hz | 1 | 1,5 W 4,1/2,9 VA | V10025-A11 |
| 12V d.c. | 2 | 1,7 W | V10025-A12 |
| 24V d.c. | 3 | 1,7 W | V10025-A13 |
| 24V 50/60Hz | 4 | 4,1/2,9 VA | V10025-A14 |
| 48V 50/60Hz | 6 | 4,1/2,9 VA | V10025-A16 |
| 110V 50/60Hz | 8 | 3,5/2,5 VA | V10025-A18 |
| 240V 50/60Hz | 9 | 3,5/2,5 VA | V10025-A19 |

Electrical Details for Solenoid Operators

| | |
|------------------------|---|
| Voltage Tolerances: | ±10% |
| Rating: | 100% E.D. |
| Inlet Orifice: | 0,8 mm |
| Electrical Connection: | DIN 43 650 Table "C" |
| Manual Override: | V14B----B21*A – Screwdriver Bi-stable V14B----B31*A – Push button, spring return |
| Protection Class: | IP65 (DIN 40 050) |

For details of connector plugs and light emitting seals see section 7.7.001.

† Electrical Details for Wireway

| Voltage | Features | Indicator | † Codes | Colour Code |
|--------------------|--|-----------|---------|-------------|
| 12 – 24V d.c. | Surge suppression | LED (red) | 3 | Green |
| 24V d.c. | Surge suppression, diagnostic with power saver | See right | B3 | Red |
| 24 – 48V 50/60Hz | Surge suppression | Neon | 6 | Blue |
| 110 – 120V 50/60Hz | Surge suppression | Neon | 8 | Yellow |
| 220 – 240V 50/60Hz | Surge suppression | Neon | 9 | Orange |

Diagnostic with Power Savings

| | |
|------------------------|--|
| Voltage | 24V d.c. |
| Suppression: | Flywheel diode |
| Diagnostic Indication: | Red LED correct armature movement Orange LED failed armature movement |
| Power Saving: | 50% after armature has moved |

Warning

These products are intended for use in industrial compressed air systems only. Do not use these products where pressures and temperatures can exceed those listed under 'Technical Data'.

Before using these products with fluids other than those specified, for non-industrial applications, life-support systems, or other applications not within published specifications, consult Norgren

Through misuse, age, or malfunction, components used in fluid power systems can fail in various modes. The system designer is warned to consider the failure modes of all component parts used in fluid power systems and to provide adequate safeguards to prevent personal injury or damage to equipment in the event of such failure.

System designers must provide a warning to end users in the system instructional manual if protection against a failure mode cannot be adequately provided.

System designers and end users are cautioned to review specific warnings found in instruction sheets packed and shipped with these products.



Valve Islands

| | | | | | | | |
|--------------------------------------|---------------------------|----------------|---------------------------|----------------|------------------------------------|----------------|--|
| | | | | | | | |
| | With IP40 D-Sub Connector | | With IP65 Round Connector | | With IP65/NEMA 4 Conduit Connector | | |
| | Single Pressure | Dual Pressure | Single Pressure | Dual Pressure | Single Pressure | Dual Pressure | |
| Side Ported - Standard Multipole | V14BAA**-XXX1† | V14BAA**-**X1† | V14BAB**-XXX1† | V14BAB**-**X1† | V14BAC**-XXX1† | V14BAC**-**X1† | |
| Side Ported - Diagnostic Multipole | V14BBA**-XXXB3 | V14BBA**-**XB3 | V14BBB**-XXXB3 | V14BBB**-**XB3 | V14BBC**-XXXB3 | V14BBC**-**XB3 | |
| Bottom Ported - Standard Multipole | V14BCA**-XXX1† | V14BCA**-**X1† | V14BCB**-XXX1† | V14BCB**-**X1† | V14BCC**-XXX1† | V14BCC**-**X1† | |
| Bottom Ported - Diagnostic Multipole | V14BDA**-XXXB3 | V14BDA**-**XB3 | V14BDB**-XXXB3 | V14BDB**-**XB3 | V14BDC**-XXXB3 | V14BDC**-**XB3 | |

Valve Islands with Dedicated AS-Interface Modules

| | | | | | | | | |
|---------------|-----------------|----------------|---------------------------|---------------|-----------------|---------------|---------------------------|---------------|
| | | | | | | | | |
| | With 4 Outputs | | With 2 Outputs / 2 Inputs | | With 8 Outputs | | With 4 Outputs / 4 Inputs | |
| | Single Pressure | Dual Pressure | Single Pressure | Dual Pressure | Single Pressure | Dual Pressure | Single Pressure | Dual Pressure |
| Side Ported | V14BAG**-XXX13 | V14BAG**-**X13 | | | | | | |
| Bottom Ported | V14BCG**-XXX13 | V14BCG**-**X13 | | | | | | |

Accessories

| | | | |
|---|---|--|--|
| | | | |
| End Plate and Harness with IP40 D Sub-connector | End Plate and Harness with IP65 Round Connector | End Plate and Harness with IP65/NEMA 4 connector | Multipole Module |
| V14B517R-Q06** | V14B517R-Q07** | V14B517R-Q15** | V085516R-Q091* Standard with Indicator |
| | | | V085516R-Q09B3 Diagnostic |
| | | | V085516R-Q0953 Positive Common |

| | | | |
|--------------------------|------------------------------------|--------------------------|------------------------------------|
| | | | |
| 4 Output AS-I Module LHS | 2 Output / 2 Input AS-I Module LHS | 4 Output AS-I Module RHS | 2 Output / 2 Input AS-I Module RHS |
| VE1AS14A-00400 | VE1AS14A-20200 | VE1AS14B-00400 | VE1AS14B-20200 |

| | | | | |
|--------------------|-----------------------|---------------------|--------------------|----------------------------|
| | | | | |
| DIN-Rail | DIN-Rail Mounting Kit | Round Connector | D-Sub Connector | Pressure Regulator Block |
| V10009-C00 1 Metre | V10319-K30 | V10021-E01 1 Metre | V10020-E01 1 Metre | V14B517A-Q2103 Dual |
| | | V10021-E03 3 Metre | V10020-E03 3 Metre | V14B517A-Q2106 Mono port 2 |
| | | V10021-E05 5 Metre | V10020-E05 5 Metre | V14B517A-Q2109 Mono port 4 |
| | | V10021-E08 8 Metre | | |
| | | V10021-E10 10 Metre | | |

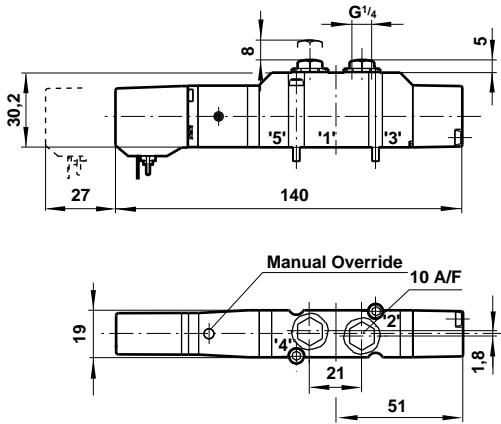
| | | | | |
|----------------------|--------------------------|----------------------------|---------------------|----------------------------|
| | | | | |
| Flow Regulator Block | Pressure Switch Assembly | Pressure Gauge Kit for PRV | Blanking Gasket Set | Tie Rod Kits |
| V14B517A-Q2201 | V14B517A-Q1700 | V14B517A-Q2120 Dual | V10040-K96 | V14B517A-Q03** M3 Wireway |
| | | V14B517A-Q2121 Mono | | V14B517A-Q04** M5 Sub-base |

* Insert Voltage Code. See table opposite.
 ** Insert number of stations 02 - 20 stations. ('D' sub up to 20, Round up to 18, Conduit up to 16).
 ** - ** = 01 to 19 to indicate position of Dual Pressure Blanking Plate.
 V10022-K0+. Identification tags: + = 0 to 9, A to Z and there are three positions per station.
 V10018-K00. Blanking plugs for unused multipole module.

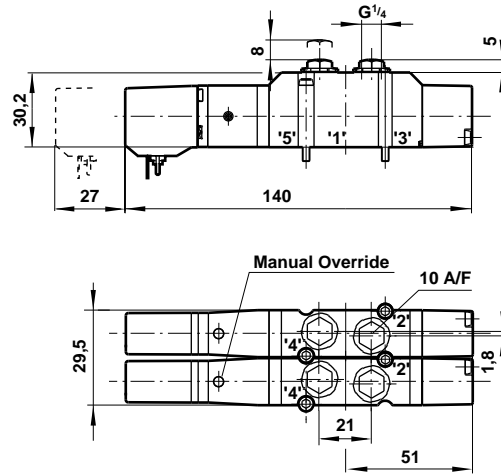


V14 Valves for Valve Island Mounting

V14B5*7A Models 5/2 Single Solenoid Valves

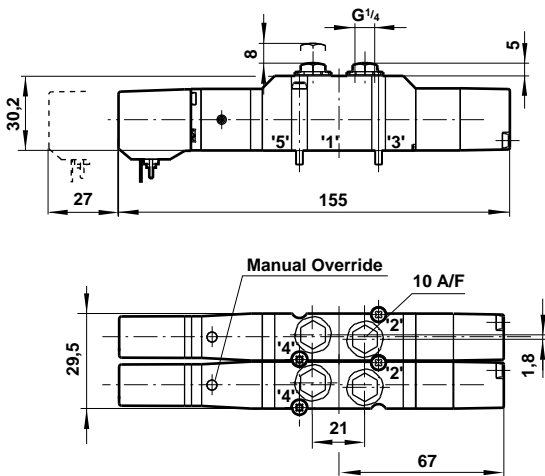


V14B5**P Models 5/2 Double Solenoid Valves



Note: Two stations needed

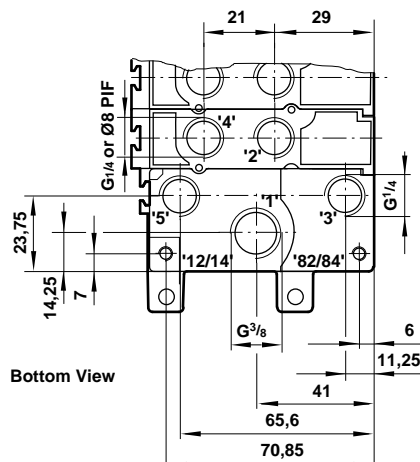
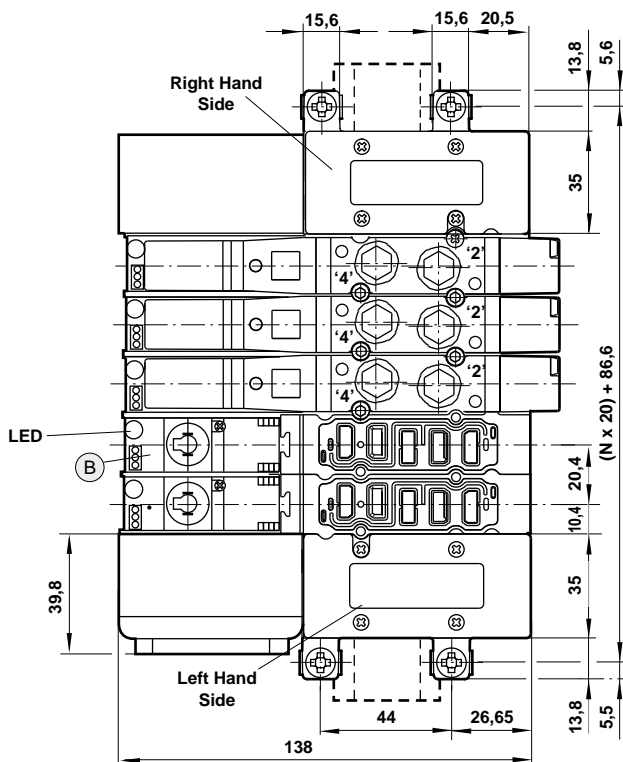
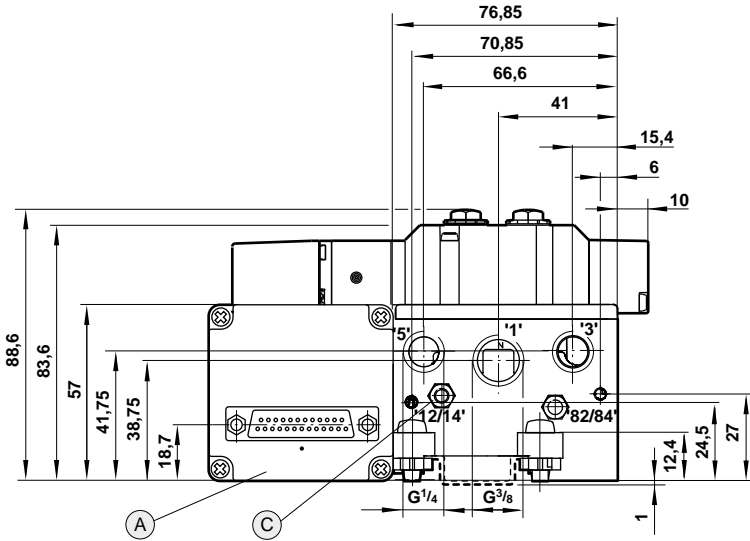
V14B***P Models 5/3 Double Solenoid Valves



Note: Two stations needed



Modular Sub-base Assemblies with IP40 D-Sub Connector Wireway for V14 valves



Valve Island Assemblies

| Porting | Multipole | Model |
|---------|-------------------------|----------------|
| Side | Standard with indicator | V14BAA**-XXX1† |
| | Diagnostic | V14BBA**-XXXB3 |
| Bottom | Standard with indicator | V14BCA**-XXX1† |
| | Diagnostic | V14BDA**-XXXB3 |

Weight: (N x 0,176) + 0,714 Kg

Sub-base Valve Island assemblies for 2 to 20 stations ** = 02 to 20

Dual Pressure Valve Island Assemblies

| Porting | Multipole | Models |
|---------|-------------------------|----------------|
| Side | Standard with indicator | V14BAA**-**X1† |
| | Diagnostic | V14BBA**-**XB3 |
| Bottom | Standard with indicator | V14BCA**-**X1† |
| | Diagnostic | V14BDA**-**XB3 |

Sub-base Valve Island assemblies for 2 to 20 stations.

Weight: (N x 0,180) + 0,714 Kg

_ = 01 to 19 to indicate position of Dual Pressure Blanking Plate, e.g V14BBA03-07X1† indicates a 10 station base divided into groups of 3 and 7.

Port Identification

Valve Island assemblies with alternative sub-base ports are available. Change 4th digit as shown:

V14BAA**-XXX13

- B = ISO G1/4
- H = ISO Rc1/4
- R = ISO 1/4 NPT
- 8 = Ø8mm PIF

End Plate and Harness Assembly (A)

| Number of Stations | Model | Weight (Kg) |
|--------------------|----------------|-------------|
| 4 | V14B517A-Q0604 | 0,144 |
| 8 | V14B517A-Q0608 | 0,160 |
| 12 | V14B517A-Q0612 | 0,182 |
| 16 | V14B517A-Q0616 | 0,205 |
| 20 | V14B517A-Q0620 | 0,229 |

D-sub Connector with Multipole Spacers

Multipole Module (B)

V085516R-Q091† 0,021 Kg
Standard with indicator

V085516R-Q09B3 0,021 Kg
Diagnostic

Tie Rod Kits (C)

V14B517A-Q03** Weight: (N x 0,001) + 0,003 Kg
For Wireway - 1 required.

V14B517A-Q04** Weight: (N x 0,003) + 0,004 Kg
For Sub-base - 2 required.

** = Number of stations in Sub-base, 01 - 20

DIN-Rail Mounting Kit

V10319-K30 0.008 Kg
For mounting on DIN-Rail

† Insert Wireway Code.
See Electrical Details for Wireway on page 5.4.156.02.

N = Number of stations



Modular Sub-base Assemblies with IP65 Round Connector Wireway for V14 valves

Valve Island Assemblies

| Porting | Multipole | Model |
|---------|-------------------------|----------------|
| Side | Standard with indicator | V14BAB**-XXX1† |
| | Diagnostic | V14BBB**-XXB3 |
| Bottom | Standard with indicator | V14BCB**-XXX1† |
| | Diagnostic | V14BDB**-XXB3 |

Sub-base Valve Island assemblies for 2 to 18 stations. ** = 01 to 18

Weight: (N x 0,176) + 0,724 Kg

Dual Pressure Valve Island Assemblies

| Porting | Multipole | Model |
|---------|-------------------------|----------------|
| Side | Standard with indicator | V14BAB**-**X1† |
| | Diagnostic | V14BBB**-**XB3 |
| Bottom | Standard with indicator | V14BCB**-**X1† |
| | Diagnostic | V14BDB**-**XB3 |

Sub-base Valve Island assemblies for 2 to 18 stations.

Weight: (N x 0,180) + 0,724 Kg

** - ** = 01 to 17 to indicate position of Dual Pressure Blanking Plate, e.g V14BBB03-07X1† indicates a 10 station base divided into groups of 3 and 7.

Port Identification

Valve Island assemblies with alternative sub-base ports are available. Change 4th digit as shown:

V14BAB**-XXX13

- B = ISO G¹/₄
- H = ISO Rc¹/₄
- R = ISO 1/₄ NPT
- 8 = Ø8mm PIF

End Plate and Harness Assembly (A) Round Connector with Multipole Spacers

| Number of Stations | Model | Weight (Kg) |
|--------------------|----------------|-------------|
| 4 | V14B517A-Q0704 | 0,144 |
| 8 | V14B517A-Q0708 | 0,160 |
| 12 | V14B517A-Q0712 | 0,182 |
| 16 | V14B517A-Q0716 | 0,205 |
| 18 | V14B517A-Q0718 | 0,221 |

Multipole Module (B)

V085516R-Q091† 0,021 Kg

Standard with indicator

V085516R-Q09B3 0,021 Kg

Diagnostic

Tie Rod Kits (C)

V14B517A-Q03** Weight: (N x 0,001) + 0,003 Kg
For Wireway - 1 required.

V14B517A-Q04** Weight: (N x 0,003) + 0,004 Kg
For Sub-base - 2 required

** = Number of stations in Sub-base, 01 - 18

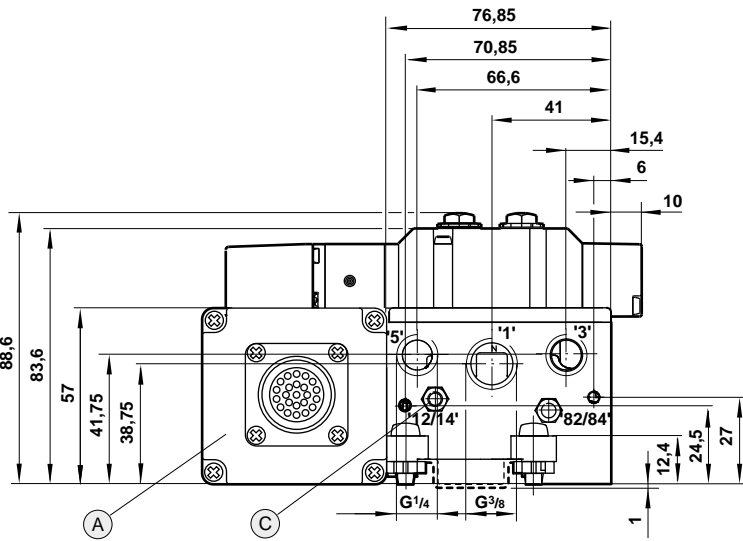
DIN-Rail Mounting Kit

V10319-K30 0.008 Kg

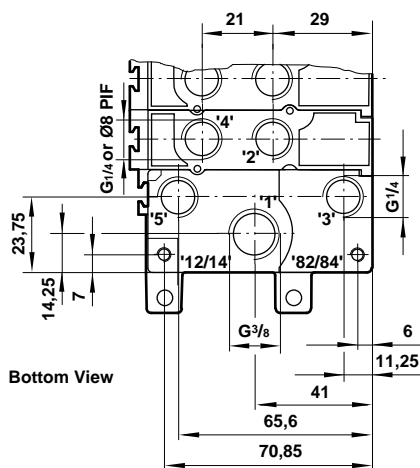
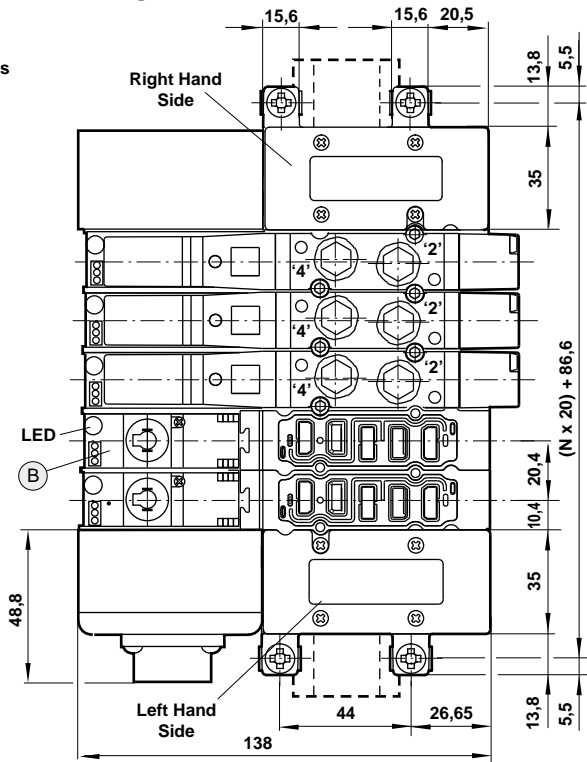
For mounting on DIN-Rail

† Insert Wireway Code.

See Electrical Details for Wireway on page 5.4.156.02.



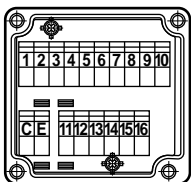
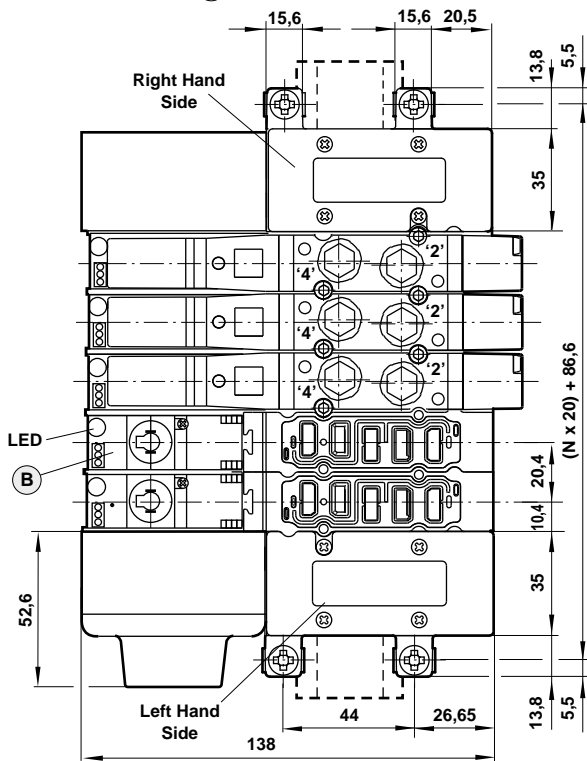
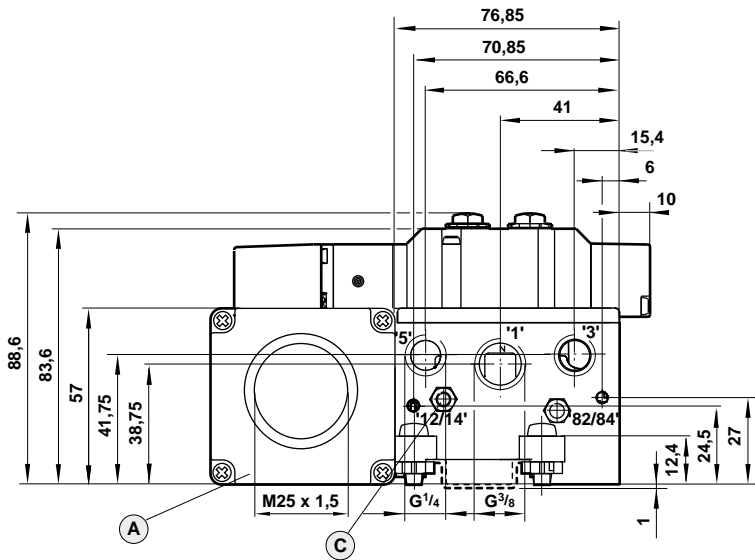
G¹/₄ Side Ported Sub-base Modules



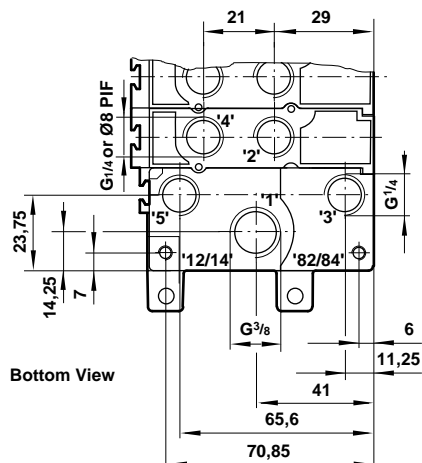
N = Number of stations



Modular Sub-base with IP65/NEMA 4 Conduit entry Wireway for V14 valves



View of connector with cover removed
 Note: Maximum wire size for Conduit entry connector is 2,5 mm².



Valve Island Assemblies

| Porting | Multipole | Model |
|---------|-------------------------|----------------|
| Side | Standard with indicator | V14BAC**-XXX1† |
| | Diagnostic | V14BBC**-XXB3 |
| Bottom | Standard with indicator | V14BCC**-XXX1† |
| | Diagnostic | V14BDC**-XXB3 |

Sub-base Valve Island assemblies for 2 to 16 stations. ** = 02 to 16
 Weight: (N x 0,176) + 0,840 Kg

Dual Pressure Valve Island Assemblies

| Porting | Multipole | Model |
|---------|-------------------------|----------------|
| Side | Standard with indicator | V14BAC**-**X1† |
| | Diagnostic | V14BBC**-**XB3 |
| Bottom | Standard with indicator | V14BCC**-**X1† |
| | Diagnostic | V14BDC**-**XB3 |

Sub-base Valve Island assemblies for 2 to 16 stations.

Weight: (N x 0,180) + 0,840 Kg

_ = 01 to 15 to indicate position of Dual Pressure Blanking Plate, e.g V14BBC03-07X1† indicates a 10 station base divided into groups of 3 and 7.

Port Identification

Valve Island assemblies with alternative sub-base ports are available. Change 4th digit as shown:

V14BAC**-XXX13

- B = ISO G1/4
- H = ISO Rc1/4
- R = ISO 1/4 NPT
- 8 = Ø8mm PIF

End Plate and Harness Assembly (A) with Conduit Connector

| Number of Stations | Model | Weight (Kg) |
|--------------------|----------------|-------------|
| 4 | V14B517A-Q1504 | 0,265 |
| 8 | V14B517A-Q1508 | 0,280 |
| 12 | V14B517A-Q1512 | 0,295 |
| 16 | V14B517A-Q1516 | 0,312 |

Multipole Module (B)

- V085516R-Q091† 0,021 Kg
Standard with indicator
- V085516R-Q09B3 0,021 Kg
Diagnostic

Tie Rod Kits (C)

- V14B517A-Q03** Weight: (N x 0,001) + 0,003 Kg
For Wireway - 1 required.
 - V14B517A-Q04** Weight: (N x 0,003) + 0,004 Kg
For Sub-base - 2 required
- ** = Number of stations in Sub-base, 01 - 16

DIN-Rail Mounting Kit

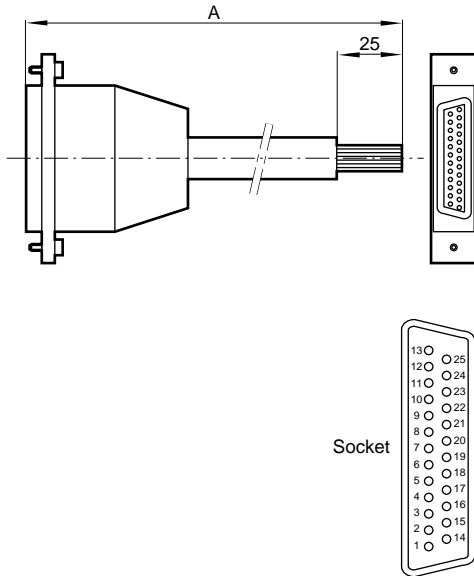
- V10319-K30 0.008 Kg
For mounting on DIN-Rail

† Insert Wireway Code.
 See Electrical Details for Wireway on page 5.4.156.02.

N = Number of stations



IP40 D-Sub Connector



D-Sub Connector with Cable

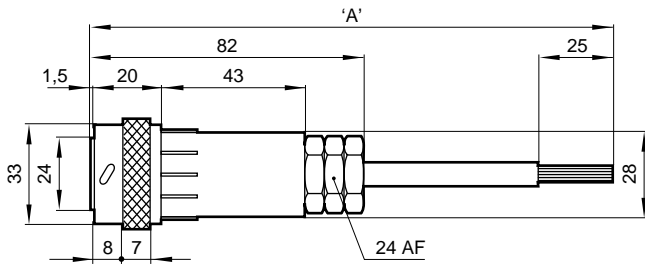
Type: 25 pin IP40 D-Sub connector. Cable size 0,52 mm²

| Model | A | Weight (Kg) |
|------------|-------|-------------|
| V10020-E01 | 1,0 m | 0,276 |
| V10020-E03 | 3,0 m | 0,676 |
| V10020-E05 | 5,0 m | 1,076 |

| Pin no. | Socket | Plug | Pin no. | Socket | Plug |
|---------|-------------|-----------|---------|---------------------|--------------|
| 1 | Solenoid 1 | Red | 14 | Solenoid 14 | Green/red |
| 2 | Solenoid 2 | Blue | 15 | Solenoid 15 | Yellow/red |
| 3 | Solenoid 3 | Green | 16 | Solenoid 16 | White/red |
| 4 | Solenoid 4 | Yellow | 17 | Solenoid 17 | Red/black |
| 5 | Solenoid 5 | White | 18 | Solenoid 18 | Red/brown |
| 6 | Solenoid 6 | Brown | 19 | Common, -Ve/neutral | Yellow/blue |
| 7 | Solenoid 7 | Violet | 20 | Common, -Ve/neutral | White/blue |
| 8 | Solenoid 8 | Orange | 21 | Common, -Ve/neutral | Blue/black |
| 9 | Solenoid 9 | Pink | 22 | Common, -Ve/neutral | Orange/blue |
| 10 | Solenoid 10 | Turquoise | 23 | Common earth | Yellow/green |
| 11 | Solenoid 11 | Grey | 24 | Solenoid 19 | White/green |
| 12 | Solenoid 12 | Red/blue | 25 | Solenoid 20 | Orange/green |
| 13 | Solenoid 13 | Black | | | |

Solenoid No. 1 is nearest to the connector on valve island

IP65 'Round' Connector



Round Connector with Cable

Type: 23 pin IP65 'Round' connector. Cable size 0,52 mm²

| Model | A | Weight (Kg) |
|------------|-------|-------------|
| V10021-E01 | 1,0 m | 0,340 |
| V10021-E03 | 3,0 m | 0,740 |
| V10021-E05 | 5,0 m | 1,140 |
| V10021-E08 | 8,0 m | 2,12 |
| V10021-E10 | 10 m | 2,67 |

| Pin. | Socket | Plug | Pin. | Socket | Plug |
|------|-------------|-----------|------|---------------------|--------------|
| A | Solenoid 1 | Red | N | Solenoid 13 | Black |
| B | Solenoid 2 | Blue | P | Solenoid 14 | Green/red |
| C | Solenoid 3 | Green | R | Solenoid 15 | Yellow/red |
| D | Solenoid 4 | Yellow | S | Solenoid 16 | White/red |
| E | Solenoid 5 | White | T | Solenoid 17 | Red/black |
| F | Solenoid 6 | Brown | U | Solenoid 18 | Red/brown |
| G | Solenoid 7 | Violet | V | Common, -Ve/neutral | Yellow/blue |
| H | Solenoid 8 | Orange | W | Common, -Ve/neutral | White/blue |
| J | Solenoid 9 | Pink | X | Common, -Ve/neutral | Blue/black |
| K | Solenoid 10 | Turquoise | Y | Common, -Ve/neutral | Orange/blue |
| L | Solenoid 11 | Grey | Z | Common earth | Yellow/green |
| M | Solenoid 12 | Red/blue | | | |

Solenoid No. 1 is nearest to the connector on valve island

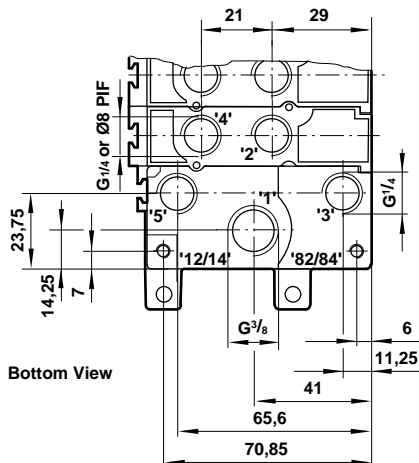
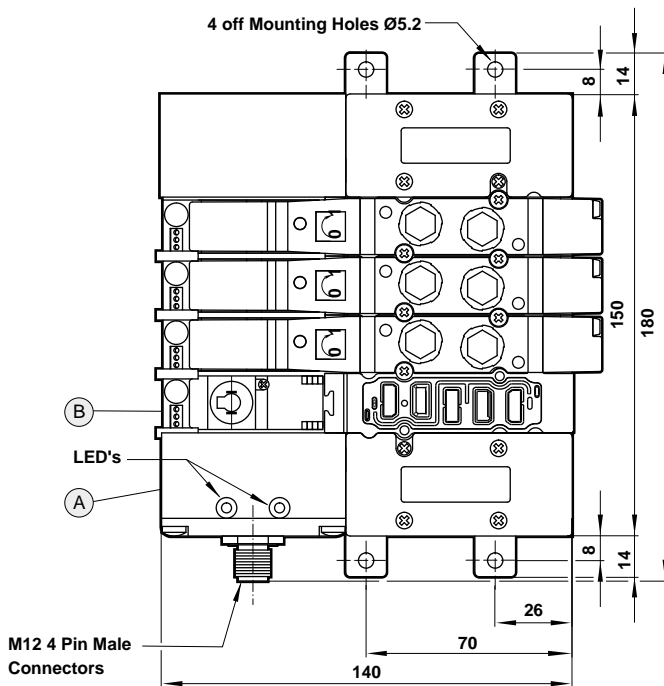
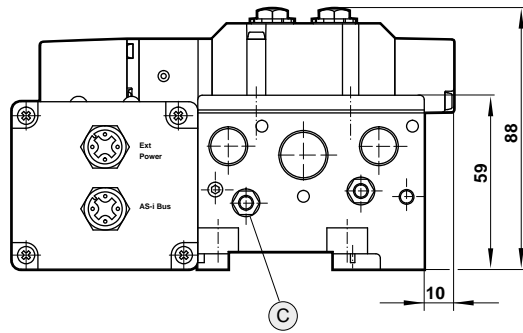
Accessories

Identification Kits – letters or numbers, reference **V10022-K0*** for multipole module. *Insert letter or number, A – Z, 0 – 9.

Blanking Plug for Multipole Module, reference **V10018-K00** for sealing coil connection orifice on unwanted Multipole Module.



Modular Sub-base Assemblies with Dedicated AS-Interface for V14 valves – 4 Output Models



Valve Island Assemblies

| Porting | Multipole | Model |
|---------|-------------------------|----------------|
| Side | Standard with indicator | V14BAG**-XXX13 |
| Bottom | Standard with indicator | V14BCG**-XXX13 |

Valve Island assemblies for up to 4 solenoids
 ** = 02 to 04.
 Weight: (N x 0,176) + 0,840 Kg.

Dual Pressure Valve Island Assemblies

| Porting | Multipole | Model |
|---------|-------------------------|----------------|
| Side | Standard with indicator | V14BAG**-**X13 |
| Bottom | Standard with indicator | V14BCG**-**X13 |

Valve Island assemblies for up to 4 solenoids.
 Weight: (N x 0,176) + 0,840 Kg
 _ = 01 to 03 to indicate position of Dual Pressure Blanking Plate, e.g V14BCG01-03X13 indicates a 4 station base divided into groups of 1 and 3.

Port Identification

Valve Island assemblies with alternative sub-base ports are available. Change 4th digit as shown:

V14BAG**-XXX13

- B = ISO G¹/₄
- H = ISO Rc¹/₄
- R = ISO 1/₄ NPT
- 8 = Ø8mm PIF

4 Output LHS AS-I Module (A)

VE1AS14A-00400 0,180 Kg

Multipole Module (B)

V085516R-Q0913 0,021 Kg
 Standard with indicator

Tie Rod Kits (C)

V14B517A-Q03** Weight: (N x 0,001) + 0,003 Kg
 For Wireway - 1 required.

V14B517A-Q04** Weight: (N x 0,003) + 0,004 Kg
 For Sub-base - 2 required

** = Number of stations in Sub-base, 01 - 16

DIN-Rail Mounting Kit

V10319-K30 0.008 Kg
 For mounting on DIN-Rail

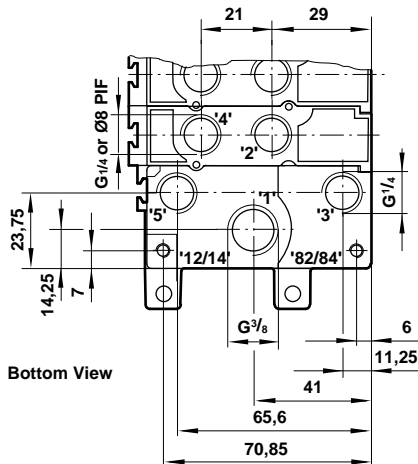
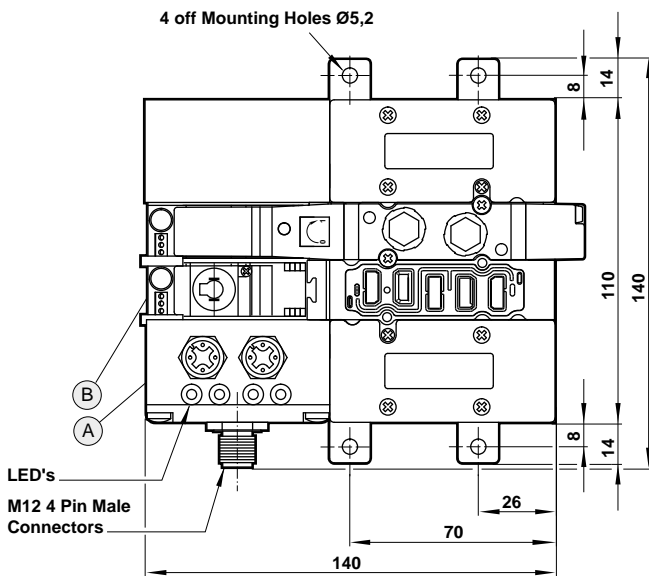
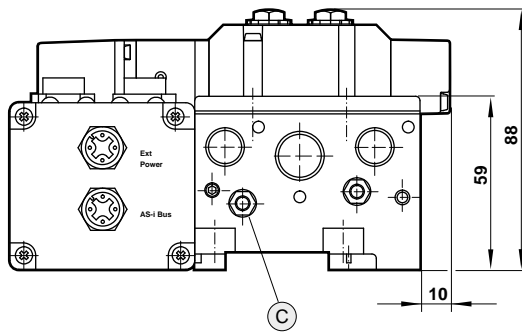
See Electrical Details for Wireway on page 5.4.156.02.

For details of associated AS-Interface products see Section 6.4.0.10

N = Number of stations



Modular Sub-base Assemblies with Dedicated AS-Interface for V14 valves – 2 Input / 2 Output Models



Valve Island Assemblies

| Porting | Multipole | Model |
|---------|-------------------------|----------------|
| Side | Standard with indicator | V14BAH02-XXX13 |
| Bottom | Standard with indicator | V14BCH02-XXX13 |

Valve Island assemblies for up to 2 solenoids.
Weight: (N x 0,176) + 0,840 Kg.

Dual Pressure Valve Island Assemblies

| Porting | Multipole | Model |
|---------|-------------------------|----------------|
| Side | Standard with indicator | V14BAH01-01X13 |
| Bottom | Standard with indicator | V14BCH01-01X13 |

Valve Island assemblies for 2 solenoid valves fitted with dual pressure blanking plate between stations.
Weight: (N x 0,180) + 0,714 Kg

Port Identification

Valve Island assemblies with alternative sub-base ports are available. Change 4th digit as shown:

V14BAH**-XXX13

- B = ISO G1/4
- H = ISO Rc1/4
- R = ISO 1/4 NPT
- 8 = Ø8mm PIF

2 Input/2 Output LHS AS-I Module (A)

VE1AS14A-20200 1,190 Kg

Multipole Module (B)

V085516R-Q0913 0,021 Kg
Standard with indicator

Tie Rod Kits (C)

V14B517A-Q03** Weight: (N x 0,001) + 0,003 Kg
For Wireway - 1 required.

V14B517A-Q04** Weight: (N x 0,003) + 0,004 Kg
For Sub-base - 2 required

** = Number of stations in Sub-base, 01 - 16

DIN-Rail Mounting Kit

V10319-K30 0.008 Kg
For mounting on DIN-Rail

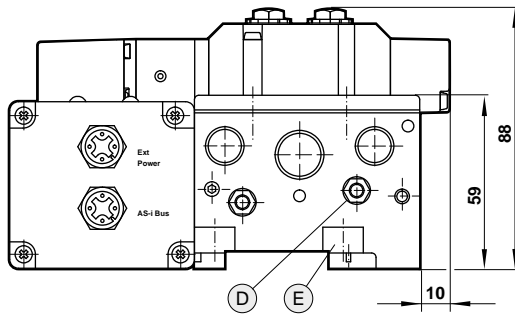
See Electrical Details for Wireway on page 5.4.156.02.

For details of associated AS-Interface products see Section 6.4.0.10

N = Number of stations



Modular Sub-base Assemblies with Dedicated AS-Interface for V14 valves – 8 Output Models



Valve Island Assemblies

| Porting | Multipole | Model |
|---------|-------------------------|----------------|
| Side | Standard with indicator | V14BAJ02-XXX13 |
| Bottom | Standard with indicator | V14BCJ02-XXX13 |

Valve Island assemblies for up to 8 solenoids.
Weight: (N x 0,176) + 0,840 Kg.

Dual Pressure Valve Island Assemblies

| Porting | Multipole | Model |
|---------|-------------------------|----------------|
| Side | Standard with indicator | V14BAJ**-**X13 |
| Bottom | Standard with indicator | V14BCJ**-**X13 |

Valve Island assemblies for up to 8 solenoids.
Weight: (N x 0,176) + 0,840 Kg

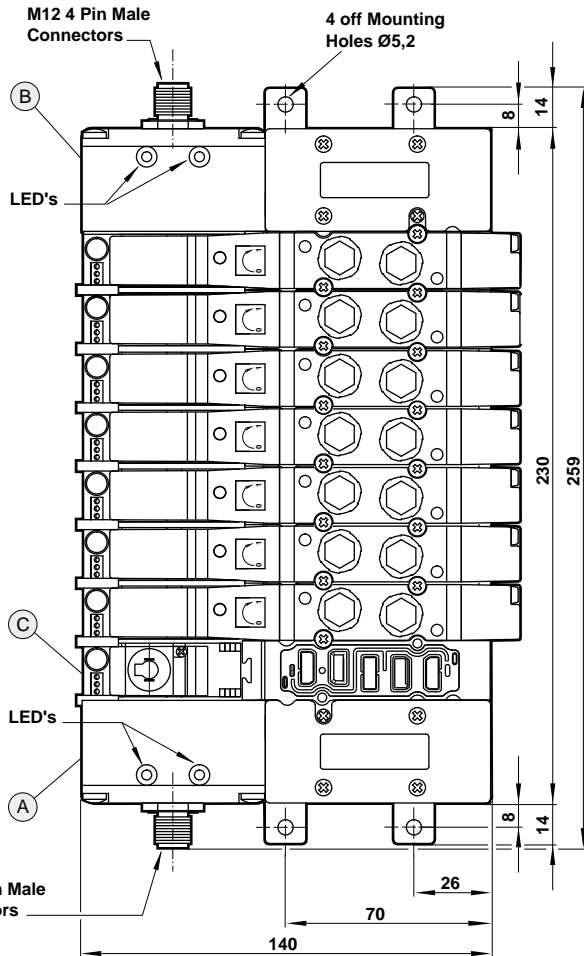
_ = 01 to 07 to indicate position of Dual Pressure Blanking Plate, e.g V14BCJ01-03X13 indicates a 4 station base divided into groups of 1 and 3.

Port Identification

Valve Island assemblies with alternative sub-base ports are available. Change 4th digit as shown:

V14BAJ**-**X13

- B = ISO G¹/₄
- H = ISO Rc¹/₄
- R = ISO 1/₄ NPT
- 8 = Ø8mm PIF



4 Output LHS AS-I Module (A)

VE1AS14A-00400 0,180 Kg

4 Output RHS AS-I Module (B)

VE1AS14B-00400 0,180 Kg

Multipole Module (C)

V085516R-Q0913 0,021 Kg
Standard with indicator

Tie Rod Kits (D)

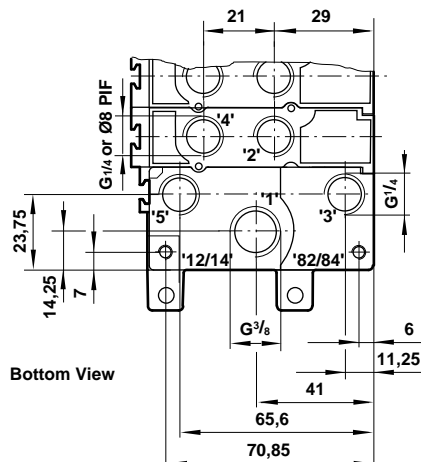
V14B517A-Q03** Weight: (N x 0,001) + 0,003 Kg
For Wireway - 1 required.

V14B517A-Q04** Weight: (N x 0,003) + 0,004 Kg
For Sub-base - 2 required

** = Number of stations in Sub-base, 01 - 16

DIN-Rail Mounting Kit (E)

V10319-K30 0.008 Kg
For mounting on DIN-Rail



See Electrical Details for Wireway on page 5.4.156.02.

For details of associated AS-Interface products see Section 6.4.0.10



Modular Sub-base Assemblies with Dedicated AS-Interface for V14 valves – 4 Output / 4 Input Models

Valve Island Assemblies

| Porting | Multipole | Model |
|---------|-------------------------|----------------|
| Side | Standard with indicator | V14BAK02-XXX13 |
| Bottom | Standard with indicator | V14BCK02-XXX13 |

Valve Island assemblies for up to 2 solenoids.
Weight: (N x 0,176) + 0,840 Kg.

Dual Pressure Valve Island Assemblies

| Porting | Multipole | Model |
|---------|-------------------------|----------------|
| Side | Standard with indicator | V14BAK**-**X13 |
| Bottom | Standard with indicator | V14BCK**-**X13 |

Valve Island assemblies for 2 solenoid valves fitted with dual pressure blanking plate between stations.
Weight: (N x 0,180) + 0,714 Kg

Port Identification

Valve Island assemblies with alternative sub-base ports are available. Change 4th digit as shown:

V14BAK**-XXX13

- B = ISO G¹/₄
- H = ISO Rc¹/₄
- R = ISO 1/4 NPT
- 8 = Ø8mm PIF

2 Input / 2 Output LHS AS-I Module (A)

VE1AS14A-20200 1,190 Kg

2 Input / 2 Output RHS AS-I Module (B)

VE1AS14B-20200 1,190 Kg

Multipole Module (C)

V085516R-Q0913 0,021 Kg
Standard with indicator

Tie Rod Kits (D)

V14B517A-Q03** Weight: (N x 0,001) + 0,003 Kg
For Wireway - 1 required.

V14B517A-Q04** Weight: (N x 0,003) + 0,004 Kg
For Sub-base - 2 required

** = Number of stations in Sub-base, 01 - 16

DIN-Rail Mounting Kit (E)

V10319-K30 0.008 Kg
For mounting on DIN-Rail

See Electrical Details for Wireway on page 5.4.156.02.

For details of associated AS-Interface products see Section 6.4.0.10

