

Sub-base mounted 2x3/2, 5/2 and 5/3 valves  
Solenoid actuated with Wireway  
Ø 8mm, G<sup>1</sup>/<sub>4</sub>

**Multipole design for easy installation**

**IP40, IP65 and NEMA 4 Conduit entry models**

**Fieldbus compatible**

**Dedicated AS-Interface modules**

**24 V d.c. or 24 V a.c. option**

**G<sup>1</sup>/<sub>4</sub> or Ø 8 mm PIF ports**

**Common positive available as an option**



## Technical data

Medium:

Compressed air, filtered to 40µm, lubricated or non-lubricated

Operation:

Spool valve, indirectly actuated

Port size (sub-base):

G<sup>1</sup>/<sub>4</sub>, Ø 8mm G<sup>3</sup>/<sub>8</sub> inlet

Operating pressure:

2 to 8 bar

Temp. range:

-20°C to +50°C

\*Consult our Technical Service for use below +2°C

## Materials

Aluminium alloy body, glass filled co-polymer end caps,  
aluminium spool with HNBR seals.

Flow characteristics: port sizes: G<sup>1</sup>/<sub>4</sub>

	'A'	'C'	'b'	l/min	SCFM	Cv	Kv
2 x 3/2 NC	10,55	2,65	-	770	10,0	0,65	0,56
2 x 3/2 NO	11,77	2,93	-	880	11,15	0,85	0,73
5/2	11,41	2,85	0,51	900	11,60	0,86	0,86
5/3 COE	11,65	2,89	-	770	10,10	0,75	0,62
5/3 APB	11,41	2,85	-	760	9,65	0,70	0,60
5/3 COP	12,47	3,10	0,20	850	11,50	0,85	0,73

## Technical data Wireway

Indication by yellow LED

Suppression by flywheel diode

Degree of protection:

IP40 'D' sub-connector

IP65 'D' sub-connector with cover

IP65 and NEMA 4 conduit entry type

IP65 Round "Bayonet lock" connector

## Ordering information

To order, complete Valve Island Specification form  
on page 5.4.157.06 and fax to your local IMI  
Norgren office for free consultation service.



**General information**  
**2x3/2 Double solenoid actuated valves**

Symbol	Model	Manual* Override	Function 2x3/2	Solenoid Pilot supply	Actuation	Operating Pressure (bar)	Solenoid pilot Pressure (bar)	Weight (kg)	Order Code
	V22BA11A-B213R	sdmo	Normally closed	Internal	Sol/spring	2,2 to 8	-	160	01
	V22BA11A-B313R	pbmo							02
	V22BB11A-B213R	sdmo	Normally open	Internal	Sol/Spring	2,2 to 8	-	160	03
	V22BB11A-B313R	pbmo							04
	V22BA22A-B213R	sdmo	Normally closed	External	Sol/Spring	-0.9 to 10	2,2 to 8	160	05
	V22BA22A-B313R	pbmo							06
	V22BB22A-B213R	sdmo	Normally open	External	Sol/Spring	-0.9 to 10	2,2 to 8	160	07
	V22BB22A-B313R	pbmo							08
	V22BC11A-B213R	sdmo	Normally open/ normally closed	Internal	Sol/Spring	2,2 to 8	-	160	09
	V22BC11A-B313R	pbmo							10
	V22BC22A-B213R	sdmo	Normally open/ normally closed	External	Sol/Spring	-0.9 to 10	2,2 to 8	160	11
	V22BC22A-B313R	pbmo							12

**5/2 Solenoid/Spring actuated valves**

Symbol	Model	Manual* Override	Solenoid Pilot supply	Mid position	Operating Pressure (bar)	Solenoid pilot Pressure (bar)	Weight (kg)	Order Code
	V22B517A-B213R	sdmo	Internal	Sol/Spring	1,8 to 8	-	135	13
	V22B517A-B313R	pbmo						14
	V22B527A-B213R	sdmo	External	Sol/Spring	-0,9 to 10	1,8 to 8	135	15
	V22B527A-B313R	pbmo						16
	V22B513A-B213R	sdmo	Internal	Sol/Air	1,5 to 8	-	135	17
	V22B513A-B313R	pbmo						18
	V22B523A-B213R	sdmo	External	Sol/Air	-0,9 to 10	1,5 to 8	135	19
	V22B523A-B313R	pbmo						20
	V22B511A-B213R	sdmo	Internal	Sol/Sol	1,2 to 8	-	150	21
	V22B511A-B313R	pbmo						22
	V22B522A-B213R	sdmo	External	Sol/Sol	-0,9 to 10	1,2 to 8	150	23
	V22B522A-B313R	pbmo						24

**5/3 Double solenoid actuated valves**

Symbol	Model	Manual* Override	Solenoid Pilot supply	Mid position	Operating Pressure (bar)	Solenoid pilot Pressure (bar)	Weight (kg)	Order Code
	V22B611A-B213R	sdmo	Internal	APB	2,2 to 8	-	160	25
	V22B611A-B313R	pbmo						26
	V22B622A-B213R	sdmo	External	APB	-0,9 to 10	2,2 to 8	160	27
	V22B622A-B313R	pbmo						28
	V22B711A-B213R	sdmo	Internal	COE	2,2 to 8	-	160	29
	V22B711A-B313R	pbmo						30
	V22B722A-B213R	sdmo	External	COE	-0,9 to 10	2,2 to 8	160	31
	V22B722A-B313R	pbmo						32
	V22B811A-B213R	sdmo	Internal	COP	2,2 to 8	-	160	33
	V22B811A-B313R	pbmo						34
	V22B822A-B213R	sdmo	External	COP	-0,9 to 10	2,2 to 8	160	35
	V22B822A-B313R	pbmo						36

APB = All Ports Blocked  
COP = Centre Open Pressure  
pbmo = push button mono-stable

COE = Centre Open Exhaust  
sdmo = screwdriver bi-stable

Note:  
Customers are advised that to comply with the Machinery Directive manual override type PBMO should be selected

\* Valve without manual override can be supplied. Change 11th digit to 1 i.e. V22-----1---



**Accessories**

D Sub-connector IP40	D Sub-connector IP65 with seal	Blanking plate
V10020-E01 1 metre <b>A1</b>	V11063-E01 1 metre <b>A4</b>	V14B517A-Q2700 <b>A7</b>
V10020-E03 3 metre <b>A2</b>	V11063-E03 3 metre <b>A5</b>	
V10020-E05 5 metre <b>A3</b>	V11063-E05 5 metre <b>A6</b>	

**Electrical details**

**Wireway**

Voltage:	24V d.c. 1,5W	24V ac
Surge suppression:	Flywheel diode	Flywheel diode
Indication:	Yellow LED	Yellow LED

**Solenoids**

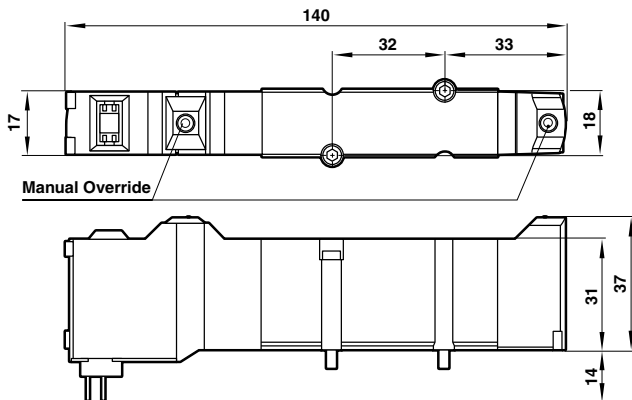
Voltage tolerance:	±10%
Rating:	100%ED

Intermediate supply/exhaust plate	Pressure switch	DIN Rail	DIN Rail mounting kits
V14B517A-Q240G <b>A8</b>	V14B517A-Q1700 <b>A9</b>	V10009-C00 1 metre <b>A10</b>	V10319-K30 <b>A11</b>

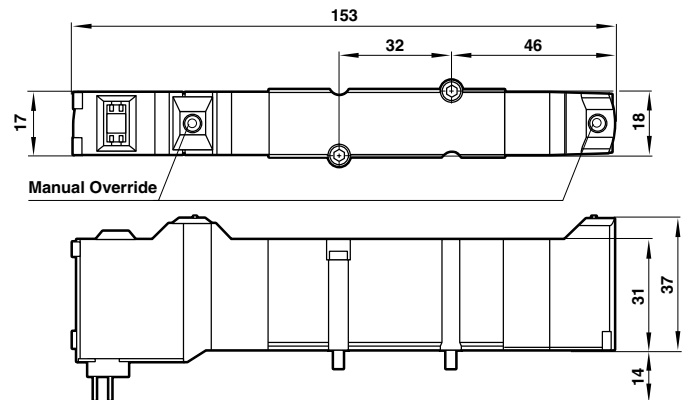
Pressure regulator block	Flow regulator block	Remote output module	Pressure gauge kit	Pressure regulator
V14B517A-Q2103 Dual <b>A12</b>	V14B517A-Q2201 <b>A15</b>	VE1MP22A-00400 (LH)	V14B517A-Q2120 Dual <b>A16</b>	V11271-K02 <b>A22</b>
V14B517A-Q2106 Mono port 2 <b>A13</b>		VE1MP22B-00400 (RH)	V14B517A-Q2121 Mono <b>A17</b>	
V14B517A-Q2109 Mono port 3 <b>A14</b>				

**V22 Models**

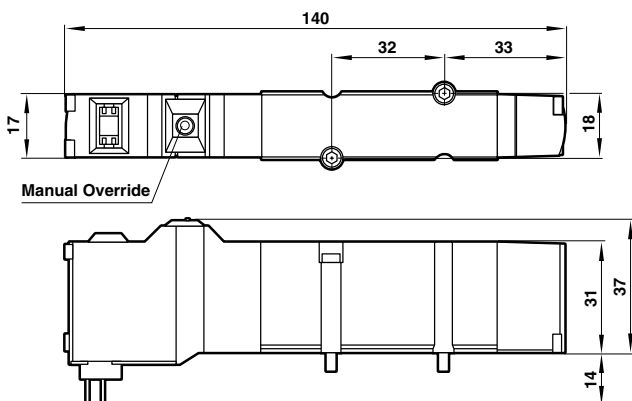
**2x3/2 and 5/2 Double solenoid actuated valves**



**5/3 Double solenoid actuated valves**

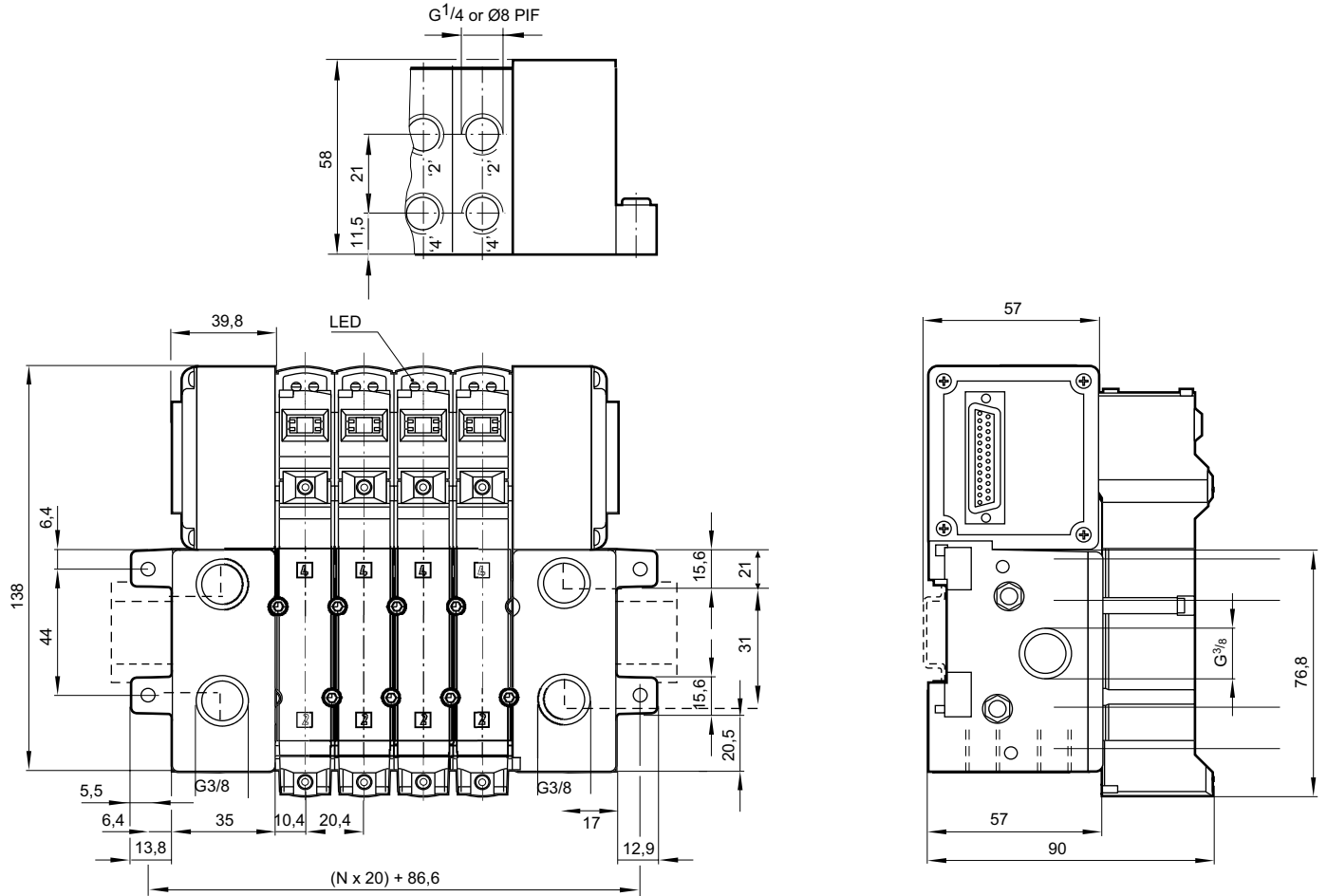


**5/2 Solenoid/Spring actuated valves**



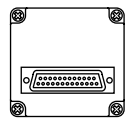


Valve Islands dimensions

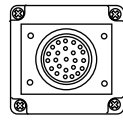


Electrical Connection Options

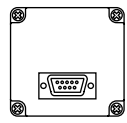
Left or Right Hand Side



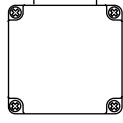
D' Sub Connector



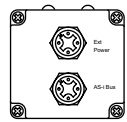
IP65 Round Connector



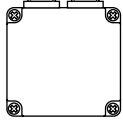
Local Bus\*



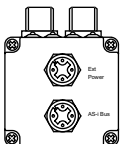
Top Mounted 'D' Connector



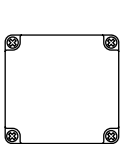
AS-I (4 Output)



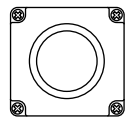
Remote Output



AS-I (2 Output, 2 Input)



No Connection



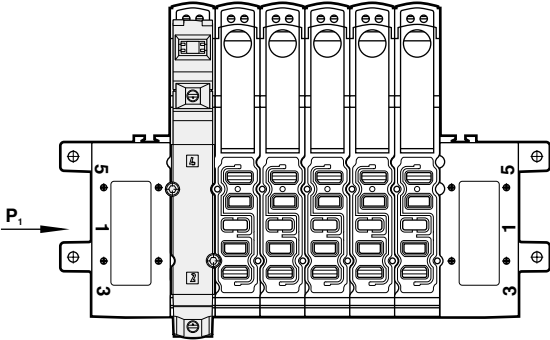
Conduit entry type (1" & M25)

\* Used with Fieldbus II See Data Sheet 6.4.040

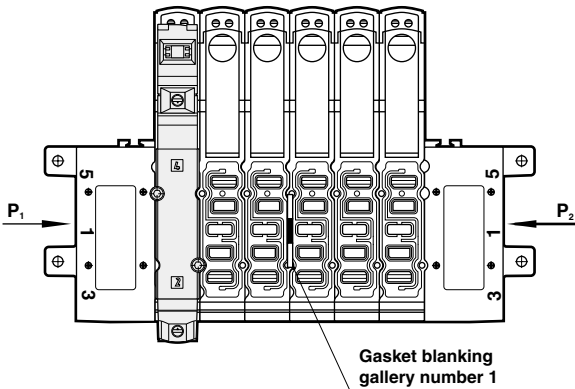


Pressure options - sub-base systems

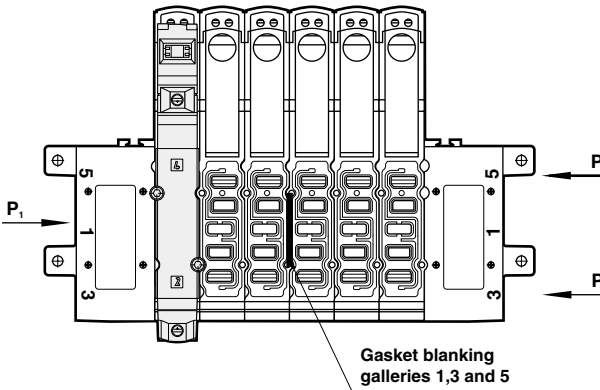
Single pressure



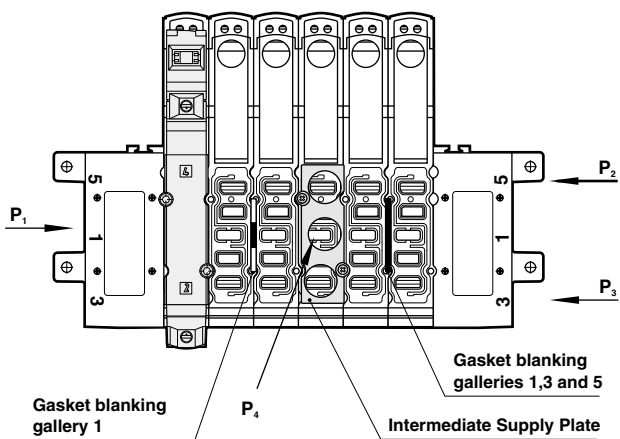
Dual pressure



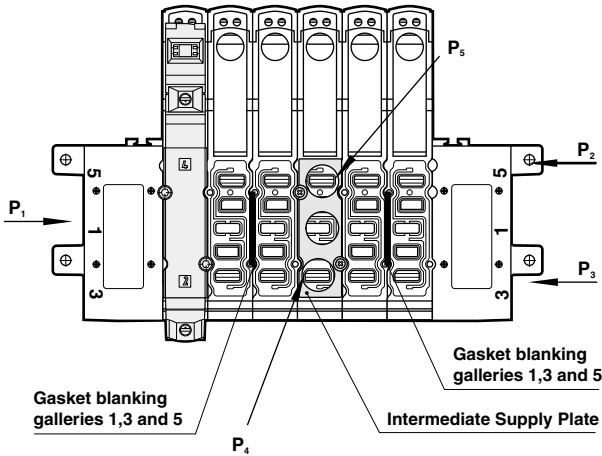
Three pressures



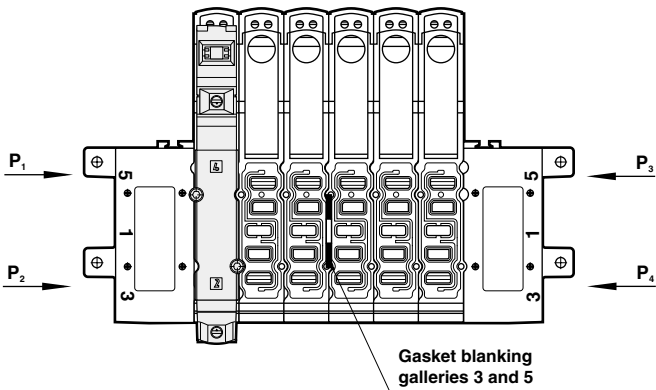
Four pressures



Five pressures

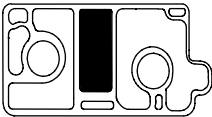


2 x Twin pressure



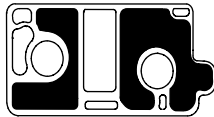
Gasket codes for use in Valve Island Specification form

Order Code: G1



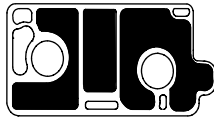
Gallery 1 blocked

Order Code: G3



Gallery 3 and 5 blocked

Order Code: G5



Gallery 1, 3 and 5 blocked

# Valve island specification

Valve Island Specification Form VIP/ .....

Company name ..... Contact name .....

Address ..... Tel no .....

..... Fax no .....

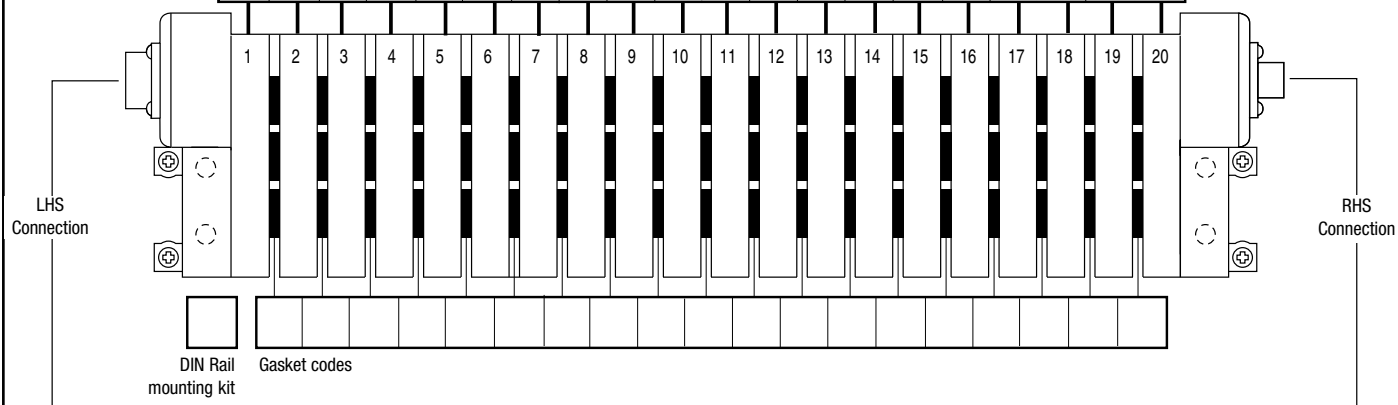
..... E-mail .....

Using the short order codes provided complete the build model below.

**One valve island per sheet only**

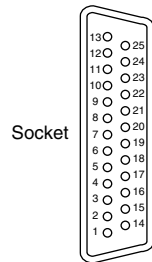
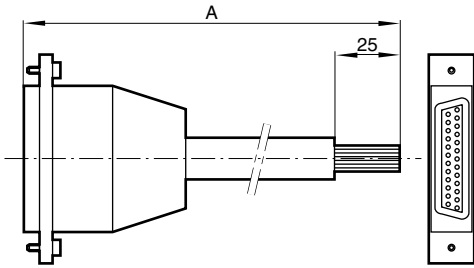
Unit ID No. ....

*Norgren to specify*

<b>Valve range</b>				<b>Pneumatic port selection</b>													
V20	<input type="checkbox"/>	V09	<input type="checkbox"/>	G1/8	<input type="checkbox"/>	1/8 NPT	<input type="checkbox"/>	Side	<input type="checkbox"/>	4 mm PIF	<input type="checkbox"/>	6 mm PIF	<input type="checkbox"/>	No. of units required	<input type="checkbox"/>		
V22	<input type="checkbox"/>	V14	<input type="checkbox"/>	G1/4	<input type="checkbox"/>	1/4 NPT	<input type="checkbox"/>	Side	<input type="checkbox"/>	Bottom	<input type="checkbox"/>	8 mm PIF	<input type="checkbox"/>	No. of stations required	<input type="checkbox"/>		
<b>Fieldbus diagnostic feature</b>																	
Yes <input type="checkbox"/> No <input type="checkbox"/>																	
Accessory codes		<input type="text"/>															
Accessory codes		<input type="text"/>															
Valve codes		<input type="text"/>															
																	
DIN Rail mounting kit		Gasket codes <input type="text"/>															
IP40 'D' Sub connector		IP65 Round connector		Conduit entry		IP40 'D' connector Top connection		Local Bus (Fieldbus)		AS-1 (4 output)		AS-1 (2 in/2 out)		Blank end		Remote output	
<b>Connection options</b>																	
V20 & V22 Voltage:		Standard: 24 V d.c. negative common (Multipole & Fieldbus) <input type="checkbox"/>															
Options:		Multipole 24 V d.c. positive common <input type="checkbox"/> 24 V a.c. <input type="checkbox"/>															
V09 & V14 Voltage:		6 V d.c. <input type="checkbox"/> 12 V d.c. <input type="checkbox"/> 24 V d.c. <input type="checkbox"/> 24 V a.c. <input type="checkbox"/> 48 V a.c. <input type="checkbox"/> 110 V a.c. <input type="checkbox"/> 240 V a.c. <input type="checkbox"/>															



### IP40 D Sub-Connector



#### D-Sub connector with cable

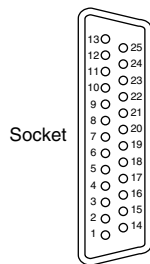
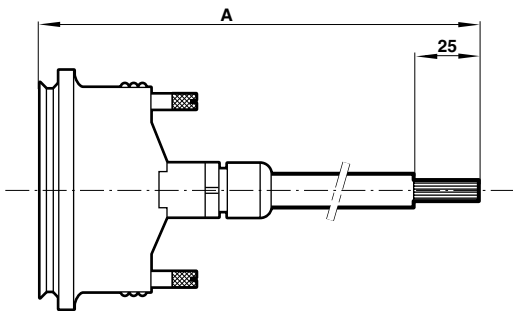
Type: 25 pin IP65

Model	A	Weight (Kg)
V10020-E01	1,0 m	0,276
V10020-E03	3,0 m	0,676
V10020-E05	5,0 m	1,076

Pin no.	Socket	Plug	Pin no.	Socket	Plug
1	Solenoid 1	Red	14	Solenoid 14	Green/red
2	Solenoid 2	Blue	15	Solenoid 15	Yellow/red
3	Solenoid 3	Green	16	Solenoid 16	White/red
4	Solenoid 4	Yellow	17	Solenoid 17	Red/black
5	Solenoid 5	White	18	Solenoid 18	Red/brown
6	Solenoid 6	Brown	19	Solenoid 19	Yellow/blue
7	Solenoid 7	Violet	20	Solenoid 20	White/blue
8	Solenoid 8	Orange	21	Not used	Blue/black
9	Solenoid 9	Pink	22	Not used	Orange/blue
10	Solenoid 10	Turquoise	23	Not used	Yellow/green
11	Solenoid 11	Grey	24	Common -ve	White/green
12	Solenoid 12	Red/blue	25	Common -ve	Orange/green
13	Solenoid 13	Black			

Solenoid no. 1 is nearest to the connector on valve island

### IP65 D Sub-Connector



#### D-Sub connector with cable

Type: 25 pin IP65

Model	A	Weight (Kg)
V11063-E01	1,0 m	0,276
V11063-E03	3,0 m	0,676
V11063-E05	5,0 m	1,076

Pin no.	Socket	Plug	Pin no.	Socket	Plug
1	Solenoid 1	Red	14	Solenoid 14	Green/red
2	Solenoid 2	Blue	15	Solenoid 15	Yellow/red
3	Solenoid 3	Green	16	Solenoid 16	White/red
4	Solenoid 4	Yellow	17	Solenoid 17	Red/black
5	Solenoid 5	White	18	Solenoid 18	Red/brown
6	Solenoid 6	Brown	19	Solenoid 19	Yellow/blue
7	Solenoid 7	Violet	20	Solenoid 20	White/blue
8	Solenoid 8	Orange	21	Not used	Blue/black
9	Solenoid 9	Pink	22	Not used	Orange/blue
10	Solenoid 10	Turquoise	23	Not used	Yellow/green
11	Solenoid 11	Grey	24	Common -ve	White/green
12	Solenoid 12	Red/blue	25	Common -ve	Orange/green
13	Solenoid 13	Black			

Solenoid no. 1 is nearest to the connector on valve island

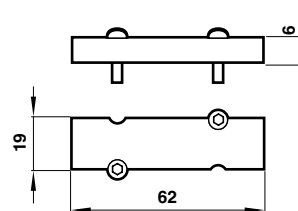
### Blanking plate

V14B517A-Q2700

0,014 kg

Blanking plate for blocking off unwanted station. Supplied with gaskets for sub-base mounting.

\*Note: A blanking plug part number V11060-K01 will also be required for the multipole sub-base when using a blanking plate.





**Intermediate supply and exhaust module**

**V14B517-Q240G**

0,038 kg

G<sup>1</sup>/<sub>4</sub>. Provides additional porting on modular sub-base systems. Occupies one valve station. Supplied with gaskets for sub-base mounting.

Can be used to:

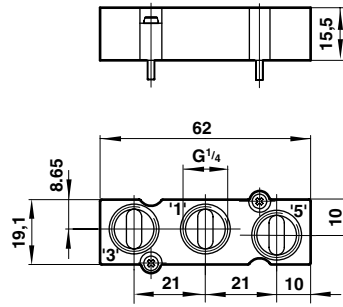
Improve supply flow

Increase exhaust capacity

Pneumatically separate valves on valve island for fail safe in emergency

Supply and exhaust twin supply valves

\*Note: A blanking plug part number V11060-K01 will also be required for the multipole sub-base when using a blanking plate.

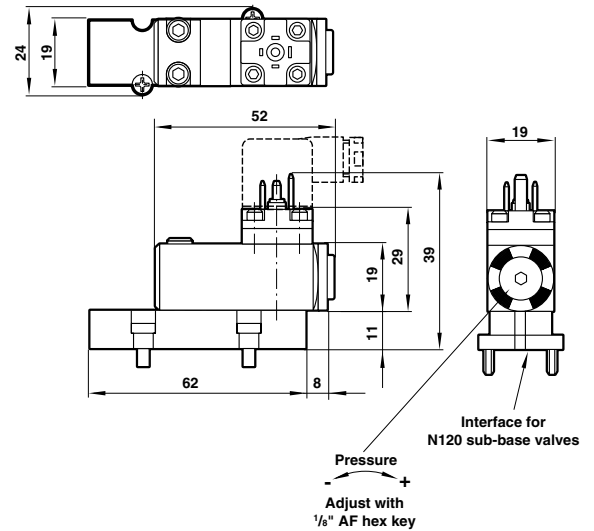


**Pressure switch assembly**

**V14B517A-Q1700**

0,120 kg

Used in conjunction with a suitable PLC based control system. Valves will not operate until the inlet pressure on the valve island is above a preset level.

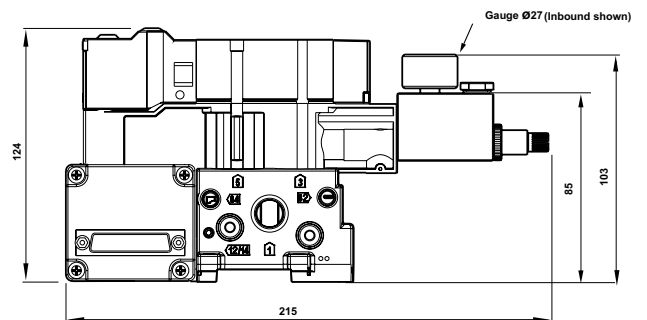
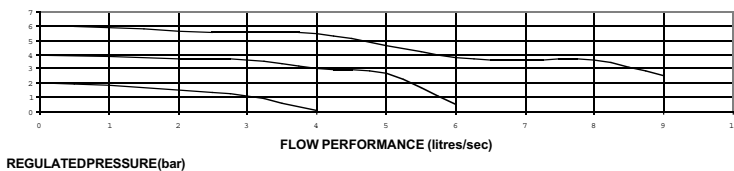


**Sandwich pressure regulator**

**V11271-K02 - Gauge inboard**

**V11271-K03 - Gauge outboard**

V22 PRESSURE REGULATING VALVE ( 8 bar Inlet pressure )



Sandwich regulator:

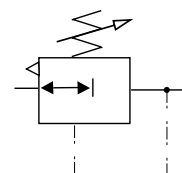
Regulates on port 1

Integral electrical connection

IP65

Gauge included

**Circuit symbol**







### Pressure regulator block

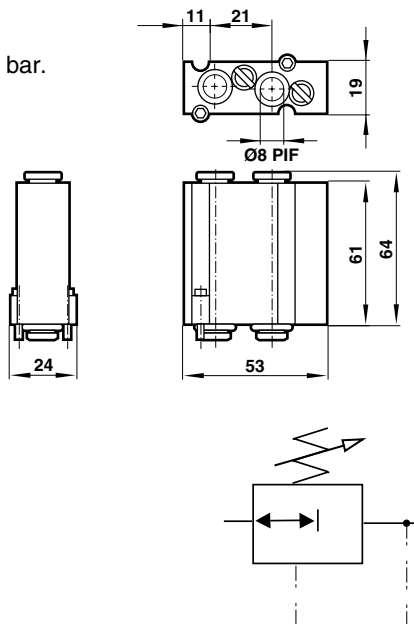
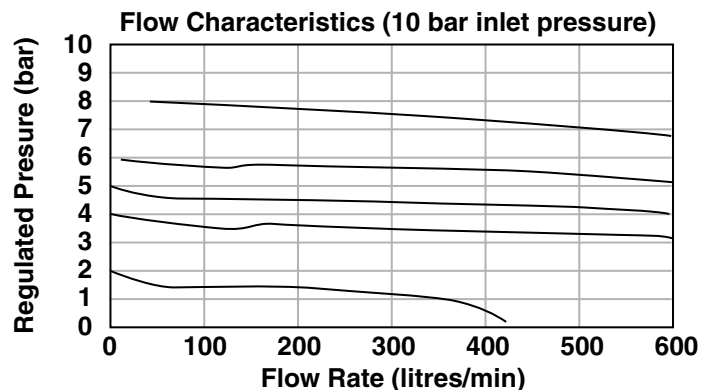
Regulates pressure on ports 2 & 4 or 2 or 4 at the sub-base as an alternative to sandwich regulator on pg 5.4.157.08

V14B517A-Q210\*

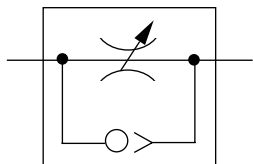
0,155 kg

Available for operation over pressure 0-10 bar.

Part number	
V14B517A-Q2103	Dual regulation (2&4)
V14B517A-Q2106	Mono regulation (2 only)
V14B517A-Q2109	Mono regulation (4 only)



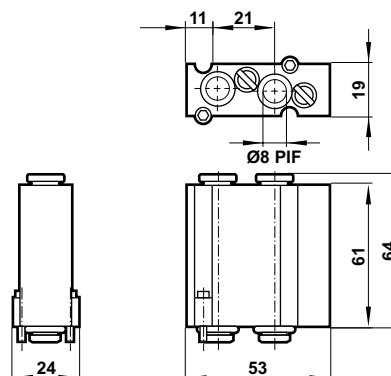
### Flow regulator block



V14B517A-Q2201

0,140 kg

Dual regulation (ports 2 and 4).



### Pressure gauge kit

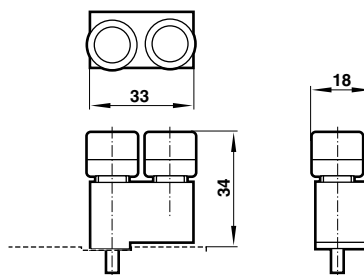
V14B517A-Q212\*

0,020 kg

Available with dual and mono pressure gauges.

Part number	
V14B517A-Q2120	Dual pressure gauge
V14B517A-Q2121	Mono pressure gauge

For use with V14B517A-Q210\* pressure regulator block

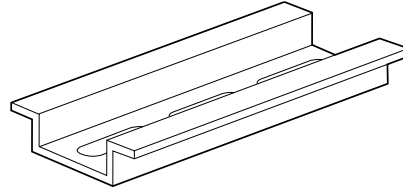




**DIN Rail**

V10009-C00  
1 metre

0,312 kg

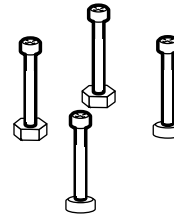


**DIN Rail mounting kit**

V10319-K01

0,008 kg

Kit for mounting side ported modular sub-bases on DIN 46277-3, BS5584 and CENELEC EN 50-022 mounting rail.

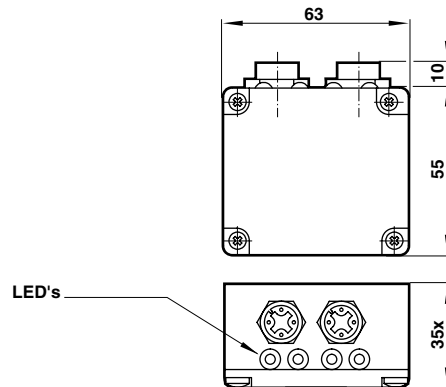


**Remote output modules**

Application:

Remote output modules are used with valve islands to provide up to 4 outputs to remote devices such as soft start and monitored dump valves.

V22: 4 outputs VE1MP22A-00400 (Left hand side)  
V22: 4 outputs VE1MP22B-00400 (Right hand side)



**Blanking plug for unused multipole station**

V11060-K01

**Identification tabs**

V11079-K01

**Warning**

These products are intended for use in industrial compressed air systems only. Do not use these products where pressures and temperatures can exceed those listed under 'Technical Data'.

Before using these products with fluids other than those specified, for non-industrial applications, life-support systems, or other applications not within published specifications, consult NORGREN.

Through misuse, age, or malfunction, components used in fluid power systems can fail in various modes. The system designer is warned to consider the failure modes of all component parts used in fluid power systems and to provide adequate safeguards to prevent personal injury or damage to equipment in the event of such failure.

**System designers must provide a warning to end users in the system instructional manual if protection against a failure mode cannot be adequately provided.**

System designers and end users are cautioned to review specific warnings found in instruction sheets packed and shipped with these products.